

Professional Laundry 2023_2



ASKO Professional Laundry





Approvals	7
Sustainability	8
Introduction	10
Segments	16
Explore the news	20

Washing Machine

Features	30
Model range	40
Programs	58
Program times	60
Segments per model	70
Accessories	72

Tumble Dryer

Features	78
Model range	88
Programs	102
Segments per model	103
Program times	104
Accessories	108

Drying Cabinet

Features	112
Model range	116
Program times	122
Segments per model	122
Accessories	124

Technical Data

Technical Specifications	128
Installation drawings	138

Other

Other ASKO domestic products	144
ASKO – the love story	146

ASKO Professional range is the perfect choice when you want durable appliances with a minimal environmental footprint without compromising on the result. The stylish design allows our professional products to be installed and integrated also in social areas as beauty salons and cafés, and they are robust enough to fit in harsh working conditions at industries or on ships. To **ASKO Professional**, usability and design always goes hand in hand, to make sure that you get a reliable and flexible new co-worker.

ASKO Professional appliances have a low energy consumption and facilitate repetitive tasks in commercial services. The unmatched performance from day care, hotels and restaurants, dentists and health clinics, to heavy-duty offshore environments.







Approvals

CE

The CE marking indicates that the product is compliant with health, safety and environmental protection standards within the European Union. All **ASKO Professional** appliances have the CE marking.

ISO 14001

ASKO Professional's environmental management system is certified to ISO 14001, which defines guidelines for environmental aspects such as materials, emissions and waste. A comprehensive review of the management system is done every year.

ISO 9001

ASKO Professional's quality management system is certified to ISO 9001. A strong customer focus and other quality management principles ensure that customers always experience a top-quality standard, in products and services offered by **ASKO Professional**.

ISO 45001

ISO 45001 is a standard that ensures a good and stable working environment and high safety throughout the company. Reduced absenteeism of staff will lead to better productivity and finally a better product quality.

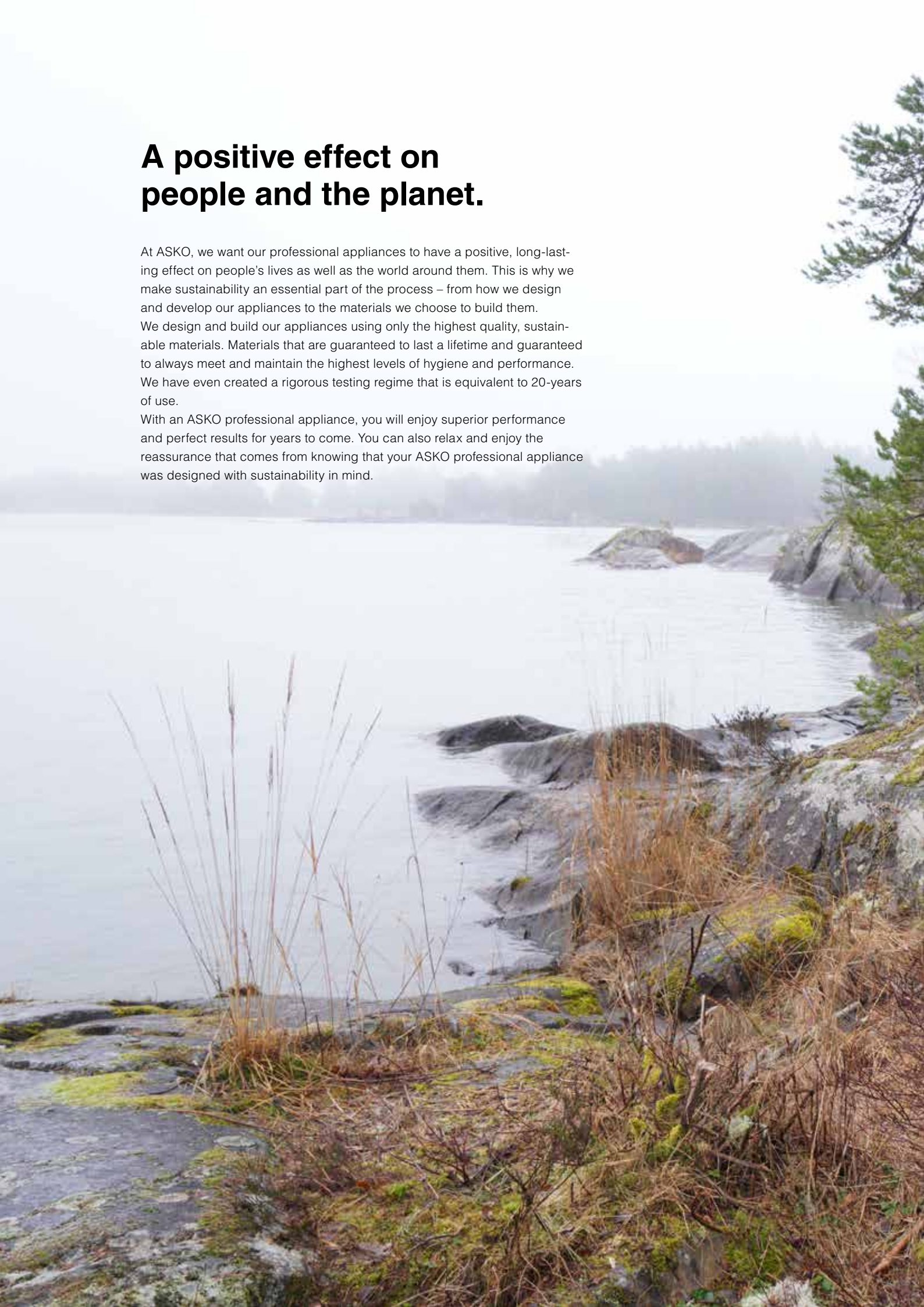
A positive effect on people and the planet.

At ASKO, we want our professional appliances to have a positive, long-lasting effect on people's lives as well as the world around them. This is why we make sustainability an essential part of the process – from how we design and develop our appliances to the materials we choose to build them.

We design and build our appliances using only the highest quality, sustainable materials. Materials that are guaranteed to last a lifetime and guaranteed to always meet and maintain the highest levels of hygiene and performance.

We have even created a rigorous testing regime that is equivalent to 20-years of use.

With an ASKO professional appliance, you will enjoy superior performance and perfect results for years to come. You can also relax and enjoy the reassurance that comes from knowing that your ASKO professional appliance was designed with sustainability in mind.





ASKO Professional aims at being the preferred choice for **professional customers worldwide**, looking for high quality small capacity laundry products with **low life time costs**.





Professional Washing machines and **Tumble dryers** with low operating costs and outstanding hygienic features.





Our professional washing machines and tumble dryers represent a new generation replacing our current professional range. This new range is based on 60- and 80-liter Quattro Construction™ / Steel Seal™ platform which is a guarantee for longevity, quality and convenience. Washers are tested for up to 30 000 cycles. On the outside you will see a completely new ex-

pression with a full steel front, which is also very easy to keep clean and hygienic. The large and clear TFT display offers great overview of the functions and the Line Concept™ ensures a logical use of the machine from left to right - start with filling the detergent, select program and press the start button on the far right end of the panel.

Professional solutions that works
everywhere



ASKO's professional range is a perfect match for various surroundings such as sculleries in cafés, restaurants and hotels, to marine and off-shore laundry rooms. Or, for the beauty salon around corner, the fitness/wellness center, health clinic or the self-service launderette.



Professional Segments



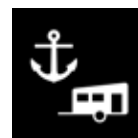
Institutions & Offices

Professional products for schools, retirement homes, preschools, offices and fire stations are used many times a day and often by different users. ASKO Professional appliances are an ideal choice thanks to their robust and durable construction in combination with their user-friendliness. The machines also fulfil all necessary hygiene and antibacterial demands running at high temperatures.



Camping & Marinas

During vacation and spare time, everyone wishes for a free and easy life. Families leave their homes and pack their cars and boats, heading out for a nice holiday. However, they still need to wash and dry their laundry. These services are often crucial when choosing a camp site, cabin village, youth hostel or guest harbour. ASKO Professional machines are an ideal choice as they are built to be used many times a day, are user-friendly and can be handled by many different people.



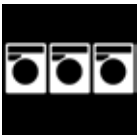
Health care

When it comes to hospital laundry hygiene, there's no room for compromise. Providing clean towels and work clothes is an essential part of health care. ASKO Professional washers have programs that fulfil strict hygiene demands. With their compact size in combination with a large capacity they are also easy to place in confined spaces. This gives you the flexibility to place a washer or dryer on each floor of a hospital or clinic.



Self-service Laundries

Landlords, construction companies, universities and military bases have all realized what savings can be made by providing tenants with a self-service laundry area instead of installing machines in each apartment. Launderettes are another kind of self-service laundry area. Self-service laundries call for durable machines that are easy to use and have quick yet efficient programs. All catered for by the ASKO Professional appliances range.



Professional Segments



Hotels & Restaurants

For guests in hotels and restaurants, clean towels and sheets are a must and therefore it is important to have products that deliver a perfect washing result every time, especially during hectic hours when delays are not acceptable. ASKO Professional washing machines are hygienic, easy to handle and reliable. The variety of flexible programs makes it easy to set the standard that suits your specific laundry and type of business.



Salons & Leisure

Hairdressers, salons and spas as well as sports and leisure facilities do a lot of laundry every day, placing high demands on durability. For these applications, ASKO Professional appliances are a good investment. Compared to domestic machines our professional products have higher quality, longer life and a high heat output that give efficient programs with shorter cycle times. They also give you flexibility, with small exterior dimensions combined with a large internal capacity.



Marine & Offshore

ASKO marine washers and dryers (and the 440 V/60Hz is without 0 potential) have been sold to the marine industry for several years. Life of laundry equipment on passenger ships, freighters and oil rigs can be hard, with heavily soiled laundry and a tough environment that leads to corrosion of machines and equipment. The laundry room is often a part of the living quarters, so low noise and minimum vibration are greatly appreciated. This is assured thanks to our stable washers and dryers with durable constructions and front feet fixations.



Cleaning Companies

Demands for hygiene and careful cleaning are constantly increasing. Efficient floor cleaning calls for proper washing of the cleaning utensils. It is important that the equipment mirrors current hygiene demands. ASKO Professional washers offer the ideal programs for cleaning mops and microfibre cleaning cloths.



Explore **the news**





Handling made easy

The EasyControl™ TFT display makes handling and programming your ASKO professional washer easy and intuitive. With a left-to-right interaction, the user is guided through set-up and programming of the washer in one of 25 supported languages, which makes it easy to use ASKO Professional washing machines all over the world.

- Logic interaction from left to right.
- Possible to select program display with text or icons.
- Possible to easily set a temporary language.
- TFT full color display.
- Robust with high quality tact buttons.
- Easy to use, just select a program and then press start, since there are no option buttons.
- Fast and precise in response.
- Premium fit & finish.
- Add clothes function: press Pause and then add more clothes
- Program continues after power failure

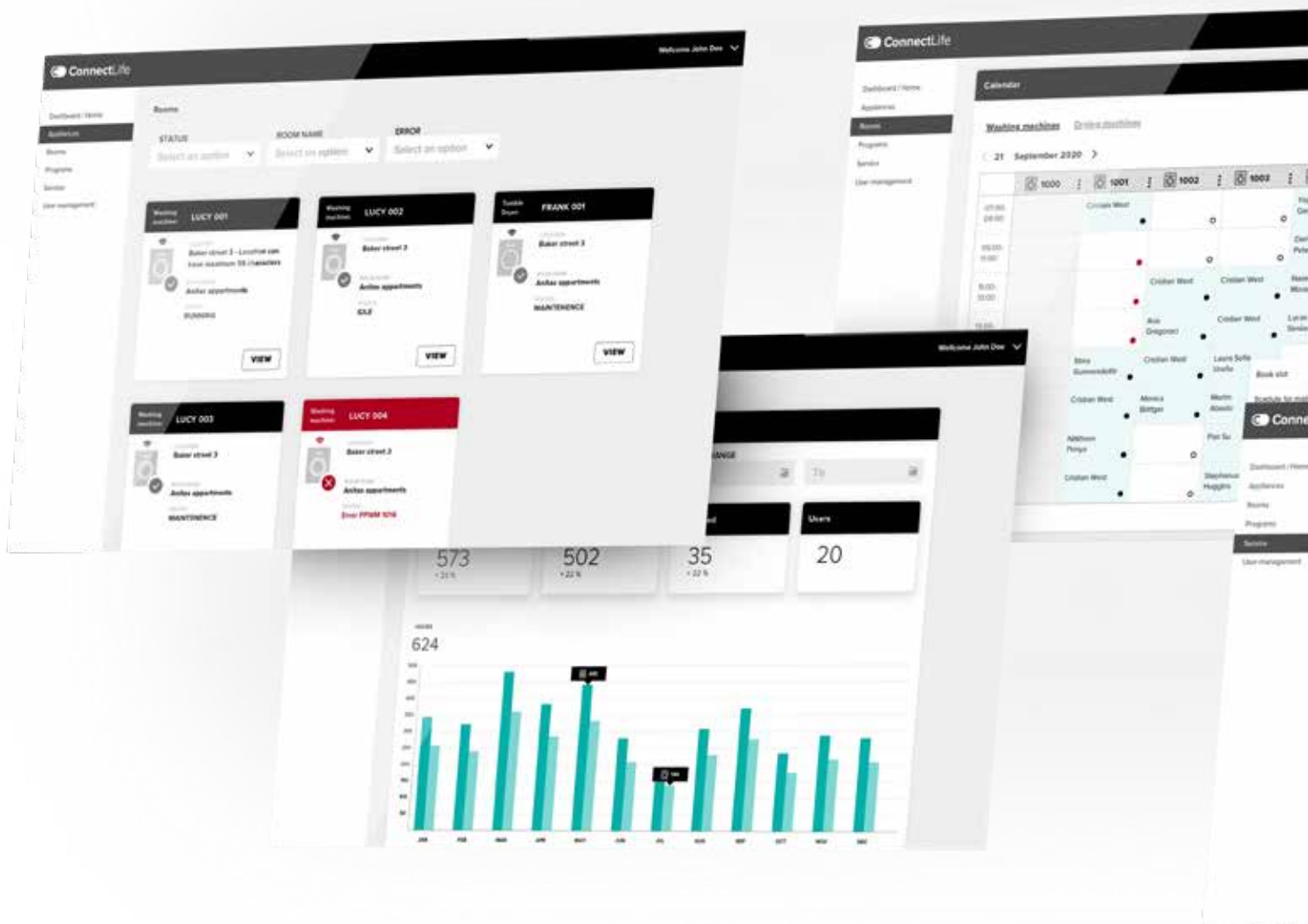
WiFi & Connectivity

The software

- Administration tool

With our administration web tool, you can access machine statuses, current states, appliance usage (by year, month or week), as well as usage statistics, see location data, total cycle counts and much more. It is truly a future-proof tool that opens up for possible advancements including Artificial Intelligence (AI) functions, data analysis etc.

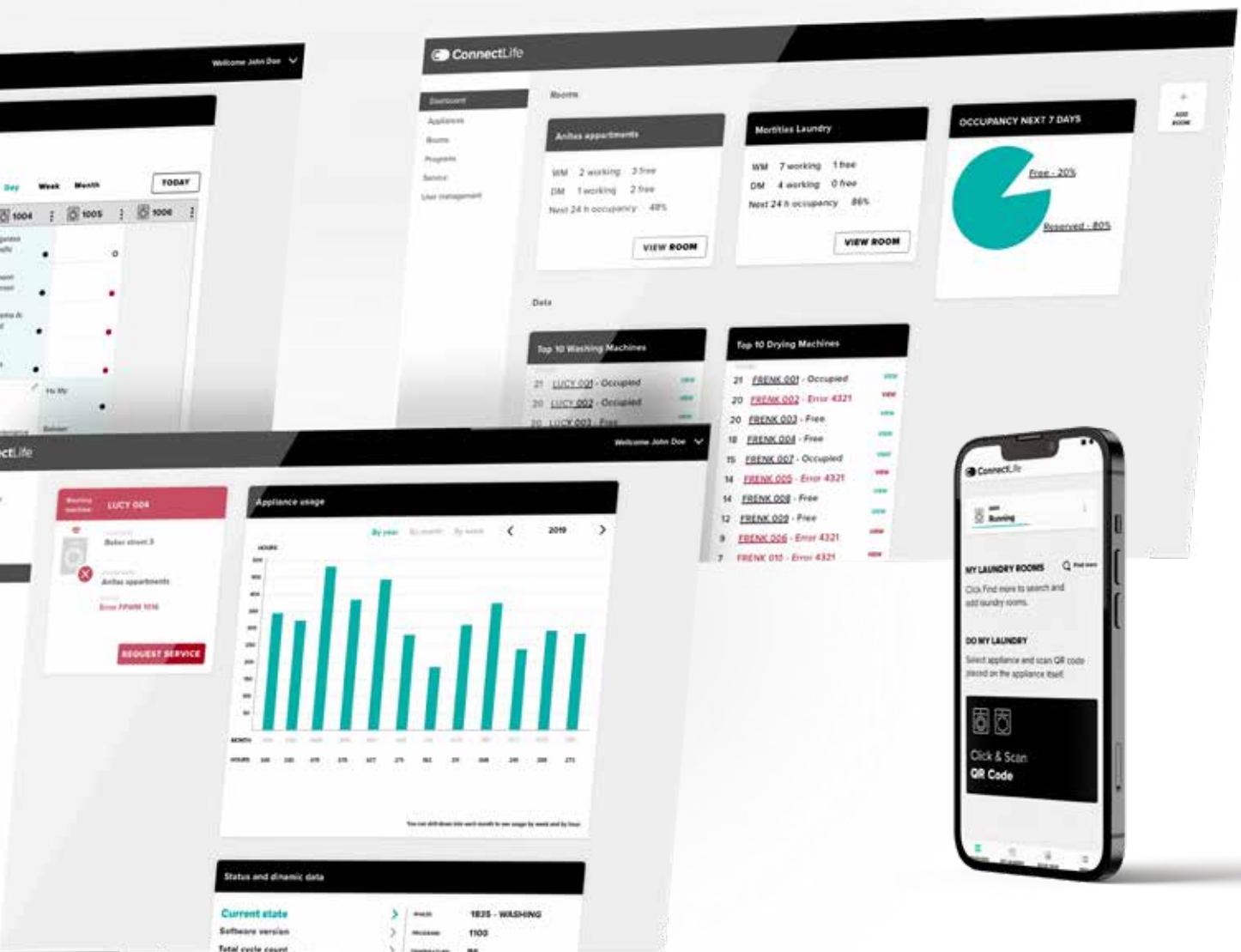
- Overview of your machine park and laundry rooms.
- Simplify service by knowing when and why a machine needs to be checked on.
- Group your machines into rooms, to get an even better overview.
- Follow statistics about usage, and more.
- Accessible on a computer, or on your handheld device for responsiveness on-the-go.
- Update your sets of programs.
- You can create Special programs remotely.



<https://en.connectlife.io/getstarted/prolaundry>



ConnectLife | Smart technologies. Smarter living.



WiFi & Connectivity

The software

- End user app

ASKO's user app, called ConnectLife Laundry is designed to be user-friendly and intuitive. Your users will be up and running in no time. The application can be downloaded to their smartphone or tablet and the user can then access the laundry room from any location. Some of the benefits:

- User Login to Application.
- User Profile Registration and edit
- (Soft) Pairing of the appliance to his account.
- Application Dashboard.
- List of Existing Reservations.
- List of Professional Soft Paired appliances.
- Book a Laundry room.
- Button Add new appliance.
- Status monitoring of machine.
- Running, broken, maintenance etc.
- Room Booking and cancellation.





4

5

6

Washing Machine #11

Status: OK

Booked: NO







External Dosing System

The washing machines are prepared for connection to an External Dosing System and the machine can control up to six different chemicals and automatically adjusts the amount according to the weight of the load, which will prevent overdosing and will save the environment as well as money.

You can also easily connect standard peristaltic pumps for detergent dosing and make a simple programming in the service menu to set the time the pump should be active.

- Extend lifetime of the machine.
- No over- or underdosing.
- Better for the environment – less detergents used.
- Allergies are easier to prevent – reduced detergent residues.
- For up to 6 chemicals
- Programmable dosing time for average load



Environmental assurance

- Each component over 50 grams is marked for recycling.
- Environment standard certified producer: ISO14001:2015.
- 98 % of the parts in an ASKO Professional are recyclable.



Explore the difference of the colours



Why stainless steel?

1. Strength

One of the main reasons stainless steel is most sought after is its strength.

2. Cleanliness

Stainless steel is one of the most hygienic materials and does not support the growth of bacteria and other pathogens. Stainless steel is low in maintenance and easy to clean, it's a perfect choice for hospitals, kitchens, and other areas where cleanliness is necessary.

3. Corrosion Resistance

Stainless steel stands strongly against corrosion, rust, water stains, and more. This also makes the metal ideal for any area where there may be temperature and pressure extremes.

4. Recyclability

Stainless steel is the material that keeps on giving. Once stainless steel has outlived its original purpose, it can be recycled. In fact, most stainless steel is already made from recycled materials.

Why steel colored in titanium?

1. Quality

Steel constructions provide long-term strength.

2. Design

Titanium offers a design that is similar to stainless steel but with a softer appearance.

3. Recyclability

Steel is 100% recyclable. Today's steel is made up of about 88% recycled products. The use of recycled scrap makes for energy efficiency, too; recycling steel saves enough energy to power 18 million households every year.

ASKO
PROFESSIONAL

Washing Machine

Start ▶

Pause ||
Stop: 3s



GB English
23:12
21°C
Eco 40-60
60°C
90°C
20°C
40°C
Heavy
Heavy
White/Color
White/Color

Start ▶
Pause ||
Stop: 3s





Washing Machine
Active Drum™

2

1

Perfectly crafted Active Drum™

We care about your laundry by taking care of the details. ASKO has a unique drum shape and hole pattern in the drum providing deep cleaning and gentleness at the same time. We call it Active Drum™. You call it perfectly clean laundry.

Active Drum™ test

We added 23,6 grams of gravel and started a normal wash cycle. After the wash the remaining gravel was collected, photographed and weighed. Remaining gravel from the active drum was 0,6 g which is only 2,7 % of the original weight.

Tough on dirt and gentle on fabrics

Hourglass-shaped removable lifters guide the load to the gentler central area of the drum and effectively remove large debris, such as dirt and gravel, pushing them to the larger holes at the edge of the drum. This is ideal when washing Mops, for instance, which often contain a lot of sand and / or smaller stones.



1

The hourglass-shaped lifters guide the load to the gentler central area of the drum. The holes here have a diameter of 2,2 mm.

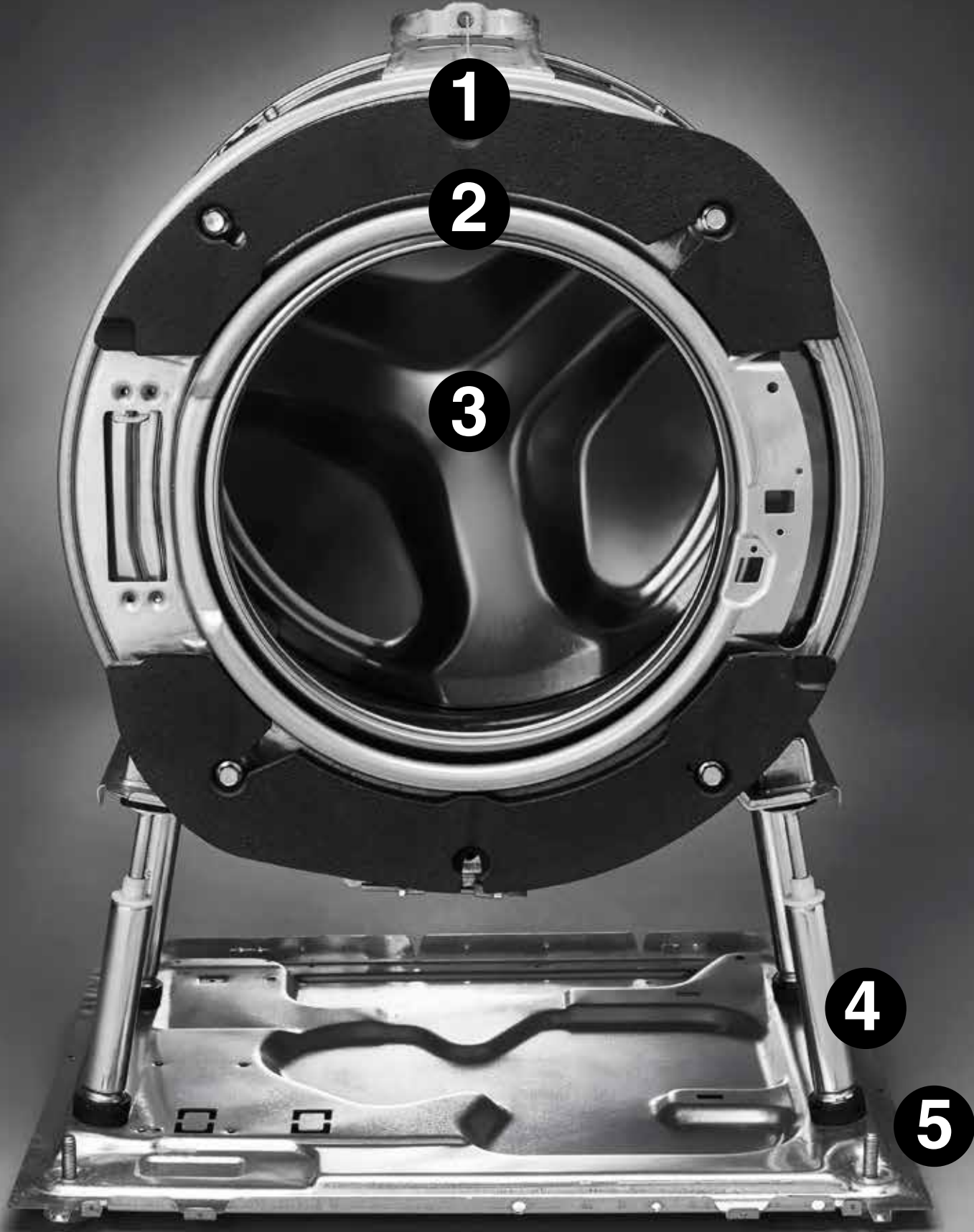
2

Large objects such as dirt and gravel are effectively removed via the larger holes (3,7 mm) in the edges of the drum and lifter.

3

All lifters are removable for easy cleaning, for example, Mop or cloth residue.

Washing Machine
Quattro Construction™



1 Stainless steel outer drum

2 Cast iron counterweights

3 Stainless steel inner drum

4 Four shock absorbers

5 Steel base

Cast iron counterweights

WM75.C: 19,5 kg

WM85C: 29,5 kg

Spin without vibrations

The outer drum rests on four strong shock absorbers firmly attached to the steel bottom plate. The entire construction is located inside the machine and spinning at high spin speed can be done virtually free of vibrations. The Quattro Construction™ system is extremely durable and prolongs lifetime of the entire machine.

- The outer drum rests on four supporting shock absorbers, firmly attached to a steel bottom plate.
- The entire construction stands inside the casing and spinning at even up to 1600 rpm can be done virtually free of vibrations.
- The Quattro Construction™ system is extremely durable and prolongs lifetime of the entire machine.
- Stainless steel inner and outer drum.



Washing Machine

Steel Seal™ and **Professional Door**





Hygienic door sealing

Thanks to the unique construction without rubber bellows, we can use a door with only a shallow bowl shape, rather than a conventional deep one that is needed with a rubber bellow construction. Therefore the door takes up less space. This, along with an easily accessible drum, makes it effortless to load and unload the machine.

Furthermore, eliminating the rubber bellows that can degrade over time and trap dirt and grime ensures a more hygienic wash. All our professional washers have this long-lasting door solution. We call it Steel Seal™.

- One-piece metal door holder and hinge, fastened with four bolts.
- True metal glass door frame of unique professional design
- Door locking is supported by a pre-tensioned spring in order to reduce door closing force.
- Locking spring is tensioned when the door is opened, and the energy is re-used to lock the door – thus less closing effort is needed.

1

Heavy duty handle designed for many door openings each day (fastened with two large bolts withstanding 8000 kg pressure).

2

Oil and acid resistant rubber sealing.

3

Double insulated glass preventing outer surface temperature to exceed 60 °C.

4

Single pivot hinge. Door opens 180°.

Washing Machine

Motor Weight Control

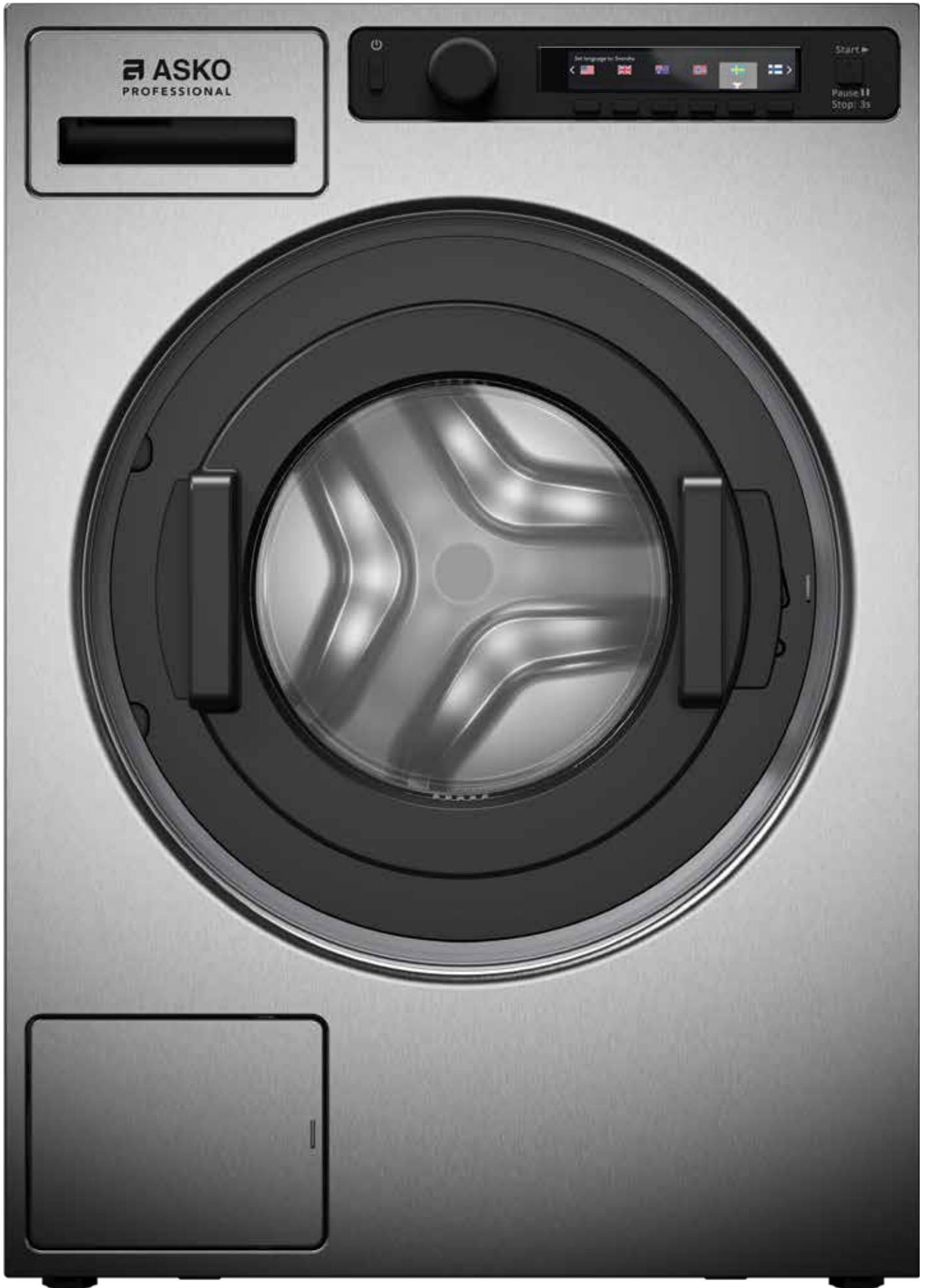


Low water and energy consumption

The operating costs are kept at a minimum thanks to the motor weight control that measures the load weight and calculates the amount of water needed for the washing cycle. If you use Auto Dose the motor weight control will also calculate the amount of detergent needed, avoiding both underdosing and expensive overdosing.

- Weight System is used for automatic recognition of laundry weight.
- Weight System gives input to external auto dosing system in order to optimize dosing.
- Based on information that is captured by sensors, the washing machine will adapt the programs to the actual amount of laundry in the drum.
- In addition to savings in water and power, it also allows silent and quiet operation of the machine and prolongs the lifetime of the appliance.
- Induction motor on all models.
- Max 1400 rpm (WM85.C) and up to 1600 rpm (WM75.C)
- Increased lifetime (+ 20%)
- Low noise level
- Placed in the base to be able to have a big drum with minimum depth of the cabinet
- Balance control
- Even distribution
- Less vibrations
- Extends life span – Durable.





Washing Machines



Washing Machine

Explore the range



WMC8947VI.S



Drain system: Valve • Colour: Stainless Steel
Spin Speed: 1400 rpm • G-factor: 530 • Residual moisture: 49 % • Element power: 7000 W • Relay card

Specifications

- Drum Volume (L): 80
- Capacity kg: 9
- Voltage: 400V
- Electrical Connection: 3ph
- Fuses: 16A
- Frequency: 50Hz
- Re-Wireable: No
- Energy Consumption kW/kg: 0,16
- Water Consumption l/kg: 7,0
- Standard Programs: 26
- Partly customizable programs: 14
- Fully customizable programs: 10
- Display Languages: 25
- Detergent Compartment: Pull-Out
- Wifi for ConnectLife: Yes
- Prepared for payment systems (coin, card and AIRwallet): Yes
- Prepared for Auto Dosing: Yes

Accessories

- Plinth
- Lint Box
- Laundry Trolley
- Stacking Kit WM85.C/TD75.C
- Auto Dosing System
- Payment System
- AIRWallet

For images and more information, see pages 72-75.

Approvals

- ISO 9001:2015 Quality management and quality assurance
- ISO 14001: 2015 Environmental management systems
- ISO 45001: 2018 Occupational health and safety management systems
- CE approved
- Machinery directive



WMC8947PI.S



Drain system: Pump • Colour: Stainless Steel
Spin Speed: 1400 rpm • G-factor: 690 • Residual moisture: 49 % • Element power: 7000 W • Relay card

Specifications

- Drum Volume (L): 80
- Capacity kg: 9
- Voltage: 400V
- Electrical Connection: 3ph
- Fuses: 16A
- Frequency: 50Hz
- Re-Wireable: No
- Energy Consumption kW/kg: 0,16
- Water Consumption l/kg: 7,0
- Standard Programs: 26
- Partly customizable programs: 14
- Fully customizable programs: 10
- Display Languages: 25
- Detergent Compartment: Pull-Out
- Wifi for ConnectLife: Yes
- Prepared for payment systems (coin, card and AIRwallet): Yes
- Prepared for Auto Dosing: Yes

Accessories

- Plinth
- Laundry Trolley
- Stacking Kit WM85.C/TD75.C
- Auto Dosing System
- Payment System
- AIRWallet

For images and more information, see pages 72-75.

Approvals

- ISO 9001:2015 Quality management and quality assurance
- ISO 14001: 2015 Environmental management systems
- ISO 45001: 2018 Occupational health and safety management systems
- CE approved
- Machinery directive

Washing Machine

Explore the range



WMC8943VC.S



Drain system: Valve • Colour: Stainless Steel
Spin Speed: 1400 rpm • G-factor: 530 • Residual moisture: 49 % • Element power: 3000 W • Relay card

Specifications

- Drum Volume (L): 80
- Capacity kg: 9
- Voltage: 230V
- Electrical Connection: 1ph
- Fuses: 16A
- Frequency: 50Hz
- Re-Wireable: 400V/3ph/3kW/10A
- Energy Consumption kW/kg: 0,16
- Water Consumption l/kg: 7,0
- Standard Programs: 26
- Partly customizable programs: 14
- Fully customizable programs: 10
- Display Languages: 25
- Detergent Compartment: Pull-Out
- Wifi for ConnectLife: Yes
- Prepared for payment systems (coin, card and AIRwallet): Yes
- Prepared for Auto Dosing: Yes

Accessories

- Plinth
- Lint Box
- Laundry Trolley
- Stacking Kit WM85.C/TD75.C
- Auto Dosing System
- Payment System
- AIRWallet

For images and more information, see pages 72-75.

Approvals

- ISO 9001:2015 Quality management and quality assurance
- ISO 14001: 2015 Environmental management systems
- ISO 45001: 2018 Occupational health and safety management systems
- CE approved
- Machinery directive



WMC8943PC.S



Drain system: Pump • Colour: Stainless Steel
Spin Speed: 1400 rpm • G-factor: 530 • Residual
moisture: 49 % • Element power: 3000 W • Relay card

Specifications

- Drum Volume (L): 80
- Capacity kg: 9
- Voltage: 230V
- Electrical Connection: 1ph
- Fuses: 16A
- Frequency: 50Hz
- Re-Wireable: 400V/3ph/3kW/10A
- Energy Consumption kW/kg: 0,16
- Water Consumption l/kg: 7,0
- Standard Programs: 26
- Partly customizable programs: 14
- Fully customizable programs: 10
- Display Languages: 25
- Detergent Compartment: Pull-Out
- Wifi for ConnectLife: Yes
- Prepared for payment systems (coin, card and AIRwallet): Yes
- Prepared for Auto Dosing: Yes

Accessories

- Plinth
- Laundry Trolley
- Stacking Kit WM85.C/TD75.C
- Auto Dosing System
- Payment System
- AIRWallet

For images and more information,
see pages 72-75.

Approvals

- ISO 9001:2015 Quality management and quality assurance
- ISO 14001: 2015 Environmental management systems
- ISO 45001: 2018 Occupational health and safety management systems
- CE approved
- Machinery directive

Washing Machine

Explore the range



WMC8944VB.T



Drain system: Valve • Colour: Titanium
Spin Speed: 1400 rpm • G-factor: 530 • Residual moisture: 49 % • Element power: 4400 W

Specifications

- Drum Volume (L): 80
- Capacity kg: 9
- Voltage: 400V
- Electrical Connection: 3ph
- Fuses: 10A
- Frequency: 50Hz
- Re-Wireable: 230V/1ph/2,2kW/16A
- Energy Consumption kW/kg: 0,16
- Water Consumption l/kg: 7,0
- Standard Programs: 26
- Partly customizable programs: 14
- Fully customizable programs: 10
- Display Languages: 25
- Detergent Compartment: Pull-Out
- Wifi for ConnectLife: No
- Prepared for payment systems (coin, card and AIRwallet): Yes

Approvals

- ISO 9001:2015 Quality management and quality assurance
- ISO 14001: 2015 Environmental management systems
- ISO 45001: 2018 Occupational health and safety management systems
- CE approved
- Machinery directive

Accessories

- Plinth
- Lint Box
- Laundry Trolley
- Stacking Kit WM85.C/TD75.C
- Auto Dosing System
- Payment System
- AIRWallet
- External System Interface
- WiFi Module

For images and more information, see pages 72-75.



WMC8944PB.T



Drain system: Pump • Colour: Titanium
Spin Speed: 1400 rpm • G-factor: 530 • Residual
moisture: 49 % • Element power: 4400 W

Specifications

- Drum Volume (L): 80
- Capacity kg: 9
- Voltage: 400V
- Electrical Connection: 3ph
- Fuses: 10A
- Frequency: 50Hz
- Re-Wireable: 230V/1ph/2,2kW/16A
- Energy Consumption kW/kg: 0,16
- Water Consumption l/kg: 7,0
- Standard Programs: 26
- Partly customizable programs: 14
- Fully customizable programs: 10
- Display Languages: 25
- Detergent Compartment: Pull-Out
- Wifi for ConnectLife: No
- Prepared for payment systems (coin, card and AIRwallet): Yes

Approvals

- ISO 9001:2015 Quality management and quality assurance
- ISO 14001: 2015 Environmental management systems
- ISO 45001: 2018 Occupational health and safety management systems
- CE approved
- Machinery directive

Accessories

- Plinth
- Laundry Trolley
- Stacking Kit WM85.C/TD75.C
- Auto Dosing System
- Payment System
- AIRWallet
- External System Interface
- WiFi Module

For images and more information,
see pages 72-75.

Washing Machine

Explore the range



WMC6744PP.S



Drain system: Pump • Colour: Stainless Steel
Spin Speed: 1400 rpm • G-factor: 530 • Residual moisture: 49 % • Element power: 4400 W

Specifications

- Drum Volume (L): 60
- Capacity kg: 7
- Voltage: 440V
- Electrical Connection: 2ph without 0 potential
- Fuses: 16A
- Frequency: 60Hz
- Re-Wireable: No
- Energy Consumption kW/kg: 0,19
- Water Consumption l/kg: 7,1
- Standard Programs: 26
- Partly customizable programs: 14
- Fully customizable programs: 10
- Display Languages: 25
- Detergent Compartment: Pull-Out
- Wifi for ConnectLife: No
- Prepared for payment systems (coin, card and AIRwallet): No

Approvals

- ISO 9001:2015 Quality management and quality assurance
- ISO 14001: 2015 Environmental management systems
- ISO 45001: 2018 Occupational health and safety management systems
- CE approved
- Machinery directive

Accessories

- Plinth
- Marine Stacking Kit
- Laundry Trolley
- Auto Dosing System
- Payment System
- AIRWallet
- External System Interface
- WiFi Module
- Cable Set Coin Op

For images and more information, see pages 72-75.



WMC6743PF.S



Drain system: Pump • Colour: Stainless Steel
Spin Speed: 1400 rpm • G-factor: 530 • Residual moisture: 49 % • Element power: 3000 W

Specifications

- Drum Volume (L): 60
- Capacity kg: 7
- Voltage: 230V
- Electrical Connection: 1ph
- Fuses: 16A
- Frequency: 60Hz
- Energy Consumption kW/kg: 0,19
- Water Consumption l/kg: 7,1
- Standard Programs: 26
- Partly customizable programs: 14
- Fully customizable programs: 10
- Display Languages: 25
- Detergent Compartment: Pull-Out
- Wifi for ConnectLife: No
- Prepared for payment systems (coin, card and AIRwallet): No

Approvals

- ISO 9001:2015 Quality management and quality assurance
- ISO 14001: 2015 Environmental management systems
- ISO 45001: 2018 Occupational health and safety management systems
- CE approved
- Machinery directive

Accessories

- Plinth
- Lint Box
- Marine Stacking Kit
- Laundry Trolley
- Auto Dosing System
- Payment System
- AIRWallet
- External System Interface
- WiFi Module
- Cable Set Coin Op

For images and more information, see pages 72-75.

Washing Machine

Explore the range



WMC6767VI.S



Drain system: Valve • Colour: Stainless Steel
Spin Speed: 1600 rpm • G-factor: 690 • Residual moisture: 44 % • Element power: 7000 W • Relay card

Specifications

- Drum Volume (L): 60
- Capacity kg: 7
- Voltage: 400V
- Electrical Connection: 3ph
- Fuses: 10A
- Frequency: 50Hz
- Re-Wireable: NA
- Energy Consumption kW/kg: 0,19
- Water Consumption l/kg: 7,1
- Standard Programs: 26
- Partly customizable programs: 14
- Fully customizable programs: 10
- Display Languages: 25
- Detergent Compartment: Pull-Out
- Wifi for ConnectLife: Yes
- Prepared for payment systems (coin, card and AIRwallet): Yes
- Prepared for Auto Dosing: Yes

Accessories

- Plinth
- Lint Box
- Laundry Trolley
- Auto Dosing System
- Payment System
- AIRWallet

For images and more information, see pages 72-75.

Approvals

- ISO 9001:2015 Quality management and quality assurance
- ISO 14001: 2015 Environmental management systems
- ISO 45001: 2018 Occupational health and safety management systems
- CE approved
- Machinery directive



WMC6763VC.S



Drain system: Valve • Colour: Stainless Steel
Spin Speed: 1600 rpm • G-factor: 690 • Residual
moisture: 44 % • Element power: 3000 W • Relay card

Specifications

- Drum Volume (L): 60
- Capacity kg: 7
- Voltage: 230V
- Electrical Connection: 1ph
- Fuses: 16A
- Frequency: 50Hz
- Re-Wireable: 400V/3ph/3kW/10A //230V/1ph /2kW/10A"
- Energy Consumption kW/kg: 0,19
- Water Consumption l/kg: 7,1
- Standard Programs: 26
- Partly customizable programs: 14
- Fully customizable programs: 10
- Display Languages: 25
- Detergent Compartment: Pull-Out
- Wifi for ConnectLife: Yes
- Prepared for payment systems (coin, card and AIRwallet): Yes
- Prepared for Auto Dosing: Yes

Accessories

- Plinth
- Lint Box
- Laundry Trolley
- Auto Dosing System
- Payment System
- AIRWallet

For images and more information,
see pages 72-75.

Approvals

- ISO 9001:2015 Quality management and quality assurance
- ISO 14001: 2015 Environmental management systems
- ISO 45001: 2018 Occupational health and safety management systems
- CE approved
- Machinery directive

Washing Machine

Explore the range



WMC6763PC.S



Drain system: Pump • Colour: Stainless Steel
Spin Speed: 1600 rpm • G-factor: 690 • Residual moisture: 44 % • Element power: 3000 W • Relay card

Specifications

- Drum Volume (L): 60
- Capacity kg: 7
- Voltage: 230V
- Electrical Connection: 1ph
- Fuses: 16A
- Frequency: 50Hz
- Re-Wireable: 400V/3ph/3kW/10A //230V/1ph /2kW/10A"
- Energy Consumption kW/kg: 0,19
- Water Consumption l/kg: 7,1
- Standard Programs: 26
- Partly customizable programs: 14
- Fully customizable programs: 10
- Display Languages: 25
- Detergent Compartment: Pull-Out
- Wifi for ConnectLife: Yes
- Prepared for payment systems (coin, card and AIRwallet): Yes
- Prepared for Auto Dosing: Yes

Accessories

- Plinth
- Laundry Trolley
- Auto Dosing System
- Payment System
- AIRWallet

For images and more information, see pages 72-75.

Approvals

- ISO 9001:2015 Quality management and quality assurance
- ISO 14001: 2015 Environmental management systems
- ISO 45001: 2018 Occupational health and safety management systems
- CE approved
- Machinery directive



WMC6743VB.T



Drain system: Valve • Colour: Titanium
Spin Speed: 1400 rpm • G-factor: 530 • Residual moisture: 49 % • Element power: 4400 W

Specifications

- Drum Volume (L): 60
- Capacity kg: 7
- Voltage: 400V
- Electrical Connection: 3ph
- Fuses: 10A
- Frequency: 50Hz
- Re-Wireable: 400V/1ph/3kW/16A // 230V/1ph/2kW/10A"
- Energy Consumption kW/kg: 0,19
- Water Consumption l/kg: 7,1
- Standard Programs: 26
- Partly customizable programs: 14
- Fully customizable programs: 10
- Display Languages: 25
- Detergent Compartment: Pull-Out
- Wifi for ConnectLife: No
- Prepared for payment systems (coin, card and AIRwallet): Yes

Accessories

- Plinth
- Lint Box
- Laundry Trolley
- Auto Dosing System
- Payment System
- AIRWallet
- External System Interface
- WiFi Module

For images and more information,
see pages 72-75.

Approvals

- ISO 9001:2015 Quality management and quality assurance
- ISO 14001: 2015 Environmental management systems
- ISO 45001: 2018 Occupational health and safety management systems
- CE approved
- Machinery directive

Washing Machine

Explore the range



WMC6743PB.T



Drain system: Pump • Colour: Titanium
Spin Speed: 1400 rpm • G-factor: 530 • Residual moisture: 49 % • Element power: 3000 W

Specifications

- Drum Volume (L): 60
- Capacity kg: 7
- Voltage: 400V
- Electrical Connection: 3ph
- Fuses: 10A
- Frequency: 50Hz
- Re-Wireable: 400V/1ph/3kW/16A // 230V/1ph/2kW/10A"
- Energy Consumption kW/kg: 0,19
- Water Consumption l/kg: 7,1
- Standard Programs: 26
- Partly customizable programs: 14
- Fully customizable programs: 10
- Display Languages: 25
- Detergent Compartment: Pull-Out
- Wifi for ConnectLife: No
- Prepared for payment systems (coin, card and AIRwallet): Yes

Approvals

- ISO 9001:2015 Quality management and quality assurance
- ISO 14001: 2015 Environmental management systems
- ISO 45001: 2018 Occupational health and safety management systems
- CE approved
- Machinery directive

Accessories

- Plinth
- Laundry Trolley
- Auto Dosing System
- Payment System
- AIRWallet
- External System Interface
- WiFi Module

For images and more information, see pages 72-75.



WMC6742V.T



Drain system: Valve • Colour: Titanium
Spin Speed: 1400 rpm • G-factor: 530 • Residual
moisture: 49 % • Element power: 2000 W

Specifications

- Drum Volume (L): 60
- Capacity kg: 7
- Voltage: 230
- Electrical Connection: 1ph
- Fuses: 10A
- Frequency: 50Hz
- Re-Wireable: NA
- Energy Consumption kW/kg: 0,19
- Water Consumption l/kg: 7,1
- Standard Programs: 26
- Partly customizable programs: 14
- Fully customizable programs: 10
- Display Languages: 25
- Detergent Compartment: Pull-Out
- Wifi for ConnectLife: No
- Prepared for payment systems (coin, card and AIRwallet): No

Approvals

- ISO 9001:2015 Quality management and quality assurance
- ISO 14001: 2015 Environmental management systems
- ISO 45001: 2018 Occupational health and safety management systems
- CE approved
- Machinery directive

Accessories

- Plinth
- Lint Box
- Laundry Trolley
- Auto Dosing System
- Payment System
- AIRWallet
- External System Interface
- WiFi Module
- Cable Set Coin Op

For images and more information,
see pages 72-75.

Washing Machine

Explore the range



WMC6742P.T



Drain system: Pump • Colour: Titanium
Spin Speed: 1400 rpm • G-factor: 530 • Residual moisture: 49 % • Element power: 2000 W

Accessories

- Plinth
- Laundry Trolley
- Auto Dosing System
- Payment System
- AIRWallet
- External System Interface
- WiFi Module
- Cable Set Coin Op

For images and more information, see pages 72-75.

Specifications

- Drum Volume (L): 60
- Capacity kg: 7
- Voltage: 230
- Electrical Connection: 1ph
- Fuses: 10A
- Frequency: 50Hz
- Re-Wireable: NA
- Energy Consumption kW/kg: 0,19
- Water Consumption l/kg: 7,1
- Standard Programs: 26
- Partly customizable programs: 14
- Fully customizable programs: 10
- Display Languages: 25
- Detergent Compartment: Pull-Out
- Wifi for ConnectLife: No
- Prepared for payment systems (coin, card and AIRwallet): No

Approvals

- ISO 9001:2015 Quality management and quality assurance
- ISO 14001: 2015 Environmental management systems
- ISO 45001: 2018 Occupational health and safety management systems
- CE approved
- Machinery directive



Washing Machine Programs

PROGRAM	DESCRIPTION
ECO 40-60 ◻	Washing cycle, which is able to clean normally soiled cotton laundry declared to be washable at 40°C or 60°C.
HEAVY 60°C	For heavily soiled laundry with dirt that needs to be fully dissolved before the main wash. A prewash is used to do this.
HEAVY 90°C	For heavily soiled laundry with dirt that needs to be fully dissolved before the main wash. A prewash is used to do this.
WHITE/COLOR 20°C	Program for normally to heavily soiled laundry, whites and colours.
WHITE/COLOR 40°C	Program for normally to heavily soiled laundry, whites and colours.
WHITE/COLOR 60°C	Program for normally to heavily soiled laundry, whites and colours.
WHITE 90°C	Program for normally to heavily soiled laundry. 90 °c is a good temperature for white and light-coloured cotton, such as bed linen.
SUPER QUICK 40°C	Use this program for laundry that just needs freshening up. The lower the selected temperature, the shorter the program time.
SUPER QUICK 60°C	Use this program for laundry that just needs freshening up. The lower the selected temperature, the shorter the program time.
SYNTHETIC 40 °C	Program for synthetics, delicate blended fabrics and permanent press cotton. Suitable for shirts and blouses.
WOOL / HAND 30 °C	A gentle laundry program for wool, silk and garments that should be washed by hand. This wash program has a short spin.
RINSE	One cold rinse and a short spin cycle. Suitable for laundry that just needs to be rinsed.
DRAIN	Use this program when you only want to drain the water from the machine.

Disinfection program

Our professional washers come with specialized disinfection programs which fulfil the strict standards of public health authorities.

This is assured with a high power output and a system that ensures the chosen temperature is reached and maintained in order to guarantee disinfection. Our disinfection program has an efficient pre-wash which ensures that all proteins found in the laundry are dissolved and removed before the temperature is raised in the main wash. The machines can also wash at extremely

high temperatures if required. The disinfection program fulfils RKI - Robert Koch Institute (The Public Health Institute for Germany) standards when using detergents approved by DGHM

- Deutsche Gesellschaft für Hygiene und Mikrobiologie (German Society for Hygiene and Microbiology). Maximum temperature 40°, 60°, 90°C reached during the cycle is shown in the display (can be switched off if desired).

These programs should be combined with a specific detergent for proper disinfection.

- 90°C: Wash, main wash at 93°C + 10 min wash cycle (reheat if temp. < 91°C), cooling step, spin, rinse, spin, rinse, spin, rinse and final spin.
- 60°C: Wash, main wash at 65°C + 60 min wash cycle (reheat if temp. < 61°C), cooling step, spin, rinse, spin, rinse, spin, rinse and final spin. Combined with specific detergent for proper disinfection.
- 40°C: Wash, main wash at 45°C + 20 min wash cycle (reheat if temp. < 41°C), spin, rinse, spin, rinse, spin, rinse and final spin. Combined with specific detergent for proper disinfection.

MOP 60°C	A program specially developed for cleaning mops.
MOP 90 °C	A program specially developed for cleaning mops.
MICROFIBRE 40 °C	A program specially developed for cleaning microfibre fabrics.
MICROFIBRE 60 °C	A program specially developed for cleaning microfibre fabrics.
DISINFECTION 40 °C	Program where the temperature reached during the main wash is maintained above 40 °C for 20 minutes. Disinfection at this temperature requires special detergent.
DISINFECTION 60 °C	Program where the temperature reached during the main wash is maintained above 60 °C for 60 minutes. Disinfection at this temperature requires special detergent.
DISINFECTION 90 °C	Program where the temperature reached during the main wash is maintained above 90 °C for 10 minutes. Disinfection at this temperature requires special detergent.
ALLERGY COTTON 60 °C	This program is used to wash normally to heavily soiled clothes that require special care, such as clothes for people with highly sensitive skin or skin allergies.
ALLERGY COTTON 90 °C	This program is used to wash normally to heavily soiled clothes that require special care, such as clothes for people with highly sensitive skin or skin allergies.
ALLERGY SYNTHETIC 40 °C	This program is used to wash clothes that require special care, such as clothes for people with highly sensitive skin or skin allergies.
ALLERGY SYNTHETIC 60 °C	This program is used to wash clothes that require special care, such as clothes for people with highly sensitive skin or skin allergies.
CLEANING	This program is used to clean the drum and to remove detergent residue and bacteria. The drum must be empty.
PROGRAMS A - J	Program slot that can be programmed for your needs.



Washing Machine **Program Times**

Model: WMC8947PI.S WMC8947VI.S								
Program	Prewash	Temp. °C	Number of rinses	Spinning speed (rpm)	Maximum load (kg)	Total Water Consumption (L)	Power consumption (approximately, kWh)	Program duration (approximately, in hours and minutes)
ECO 40-60				1400	9	41	0,51	02:42
Heavy wash 60°C	■			1400	9	85	1,30	01:45
Heavy wash 90°C	■			1400	9	88	2,30	01:54
White/Color 20°C				1400	9	63	0,14	00:40
White/Color 40°C				1400	9	63	0,42	00:49
White/Color 60°C				1400	9	63	1,40	00:59
White/Color 60°C				1400	4.5	35	0,78	00:59
White 90°C				1400	9	71	2,70	01:03
Super quick wash 40°C				800	3.5	40	0,42	00:35
Super quick wash 60°C				800	3.5	48	1,10	00:40
Synthetic 40°C				1200	3	48	0,17	00:37
Wool/Hand 30°C				800	3	40	0,07	00:34
Rinse				1400	9	15	0,07	00:22
Spinning				1400	9		0,06	00:17
Drain				1400	9		0,01	00:01
MOP 60°C	■			1400	9	90	1,40	01:37
MOP 90°C	■			1400	9	90	2,40	01:48
Microfibre 40°C				1400	9	66	0,37	00:56
Microfibre 60°C				1400	9	74	0,70	01:12
Disinfection 40°C	■			1400	9	82	0,90	01:48
Disinfection 60°C	■			1400	9	90	1,80	02:37
Disinfection 90°C	■			1400	9	90	3,20	02:24
Allergy Cotton 60°C				1400	9	104	1,30	02:35
Allergy Cotton 90°C				1400	9	104	2,80	02:47
Allergy Synthetic 40°C				1200	4.5	68	0,40	01:37
Allergy Synthetic 60°C				1200	4.5	76	0,97	01:50
Drum Cleaning					/	85	1,27	01:03

Model: WMC8943VC.S WMC8943PC.S								
Program	Prewash	Temp. °C	Number of rinses	Spinning speed (rpm)	Maximum load (kg)	Total Water Consumption (L)	Power consumption (approximately, kWh)	Program duration (approximately, in hours and minutes)
ECO 40-60				1400	9	41	0,53	02:57
Heavy wash 60°C	■			1400	9	85	1,50	02:00
Heavy wash 90°C	■			1400	9	88	2,50	02:34
White/Color 20°C				1400	9	63	0,16	00:40
White/Color 40°C				1400	9	63	0,48	00:49
White/Color 60°C				1400	9	63	1,70	00:59
White/Color 60°C				1400	4.5	35	0,44	00:59
White 90°C				1400	9	71	2,90	01:43
Super quick wash 40°C				800	3.5	40	0,48	00:35
Super quick wash 60°C				800	3.5	48	1,40	00:40
Synthetic 40°C				1200	3	48	0,23	00:40
Wool/Hand 30°C				800	3	40	0,09	00:35
Rinse				1400	9	15	0,07	00:22
Spinning				1400	9		0,06	00:17
Drain				1400	9		0,01	00:01
MOP 60°C	■			1400	9	90	1,60	01:52
MOP 90°C	■			1400	9	90	2,60	02:28
Microfibre 40°C				1400	9	66	0,43	00:59
Microfibre 60°C				1400	9	74	0,90	01:19
Disinfection 40°C	■			1400	9	82	1,00	01:51
Disinfection 60°C	■			1400	9	90	2,00	02:52
Disinfection 90°C	■			1400	9	90	3,40	03:02
Allergy Cotton 60°C				1400	9	104	1,50	02:50
Allergy Cotton 90°C				1400	9	104	3,00	03:24
Allergy Synthetic 40°C				1200	4.5	68	0,46	01:40
Allergy Synthetic 60°C				1200	4.5	76	1,03	01:55
Drum Cleaning					/	85	1,33	01:18

Washing Machine **Program Times**

Model: WMC8944VB.T WMC8944PB.T								
Program	Prewash	Temp. °C	Number of rinses	Spinning speed (rpm)	Maximum load (kg)	Total Water Consumption (L)	Power consumption (approximately, kWh)	Program duration (approximately, in hours and minutes)
ECO 40-60								
Heavy wash 60°C	■			1400	9	85	1,40	01:48
Heavy wash 90°C	■			1400	9	88	2,40	02:03
White/Color 20°C				1400	9	63	0,15	00:40
White/Color 40°C				1400	9	63	0,50	00:49
White/Color 60°C				1400	9	63	1,50	00:59
White/Color 60°C				1400	4.5	35	0,42	00:59
White 90°C				1400	9	71	2,80	01:14
Super quick wash 40°C				800	3.5	40	0,45	00:35
Super quick wash 60°C				800	3.5	48	1,20	00:40
Synthetic 40°C				1200	3	48	0,20	00:38
Wool/Hand 30°C				800	3	40	0,08	00:35
Rinse				1400	9	15	0,07	00:22
Spinning				1400	9		0,06	00:17
Drain				1400	9		0,01	00:01
MOP 60°C	■			1400	9	90	1,50	01:40
MOP 90°C	■			1400	9	90	2,50	01:57
Microfibre 40°C				1400	9	66	0,40	00:59
Microfibre 60°C				1400	9	74	0,80	01:15
Disinfection 40°C	■			1400	9	82	0,95	01:49
Disinfection 60°C	■			1400	9	90	1,90	02:40
Disinfection 90°C	■			1400	9	90	3,30	02:33
Allergy Cotton 60°C				1400	9	104	1,40	02:38
Allergy Cotton 90°C				1400	9	104	2,90	02:54
Allergy Synthetic 40°C				1200	4.5	68	0,43	01:38
Allergy Synthetic 60°C				1200	4.5	76	1,00	01:53
Drum Cleaning					/	85	1,30	01:06

Model: WMC6744PP.S								
Program	Prewash	Temp. °C	Number of rinses	Spinning speed (rpm)	Maximum load (kg)	Total Water Consumption (L)	Power consumption (approximately, kWh)	Program duration (approximately, in hours and minutes)
ECO 40-60								
Heavy wash 60°C	■			1400	7	71	1,20	01:36
Heavy wash 90°C	■			1400	7	71	2,20	01:58
White/Color 20°C				1400	7	50	0,13	00:40
White/Color 40°C				1400	7	50	0,43	00:49
White/Color 60°C				1400	7	50	1,20	00:59
White/Color 60°C				1400	3.5	31	0,70	00:59
White 90°C				1400	7	58	2,20	01:16
Super quick wash 40°C				800	3.5	40	0,30	00:35
Super quick wash 60°C				800	3.5	48	0,70	00:40
Synthetic 40°C				1200	3.5	40	0,16	00:39
Wool/Hand 30°C				800	3	35	0,04	00:35
Rinse				1400	7	14	0,07	00:22
Spinning				1400	7		0,06	00:17
Drain				1400	7		0,01	00:01
MOP 60°C	■			1400	7	76	1,10	01:26
MOP 90°C	■			1400	7	76	2,10	01:48
Microfibre 40°C				1400	7	54	0,24	00:54
Microfibre 60°C				1400	7	62	0,80	01:11
Disinfection 40°C	■			1400	7	68	0,75	01:34
Disinfection 60°C	■			1400	7	76	1,40	02:22
Disinfection 90°C	■			1400	7	76	2,60	02:08
Allergy Cotton 60°C				1400	7	86	1,10	02:26
Allergy Cotton 90°C				1400	7	86	2,70	02:48
Allergy Synthetic 40°C				1200	3.5	55	0,32	01:39
Allergy Synthetic 60°C				1200	3.5	63	0,77	01:53
Drum Cleaning					/	72	1,07	01:06

Washing Machine **Program Times**

Model: WMC6767VI.S								
Program	Prewash	Temp. °C	Number of rinses	Spinning speed (rpm)	Maximum load (kg)	Total Water Consumption (L)	Power consumption (approximately, kWh)	Program duration (approximately, in hours and minutes)
ECO 40-60								
Heavy wash 60°C	■	60	3	1600	7	71	1,10	01:33
Heavy wash 90°C	■	90	3	1600	7	71	2,10	01:45
White/Color 20°C		20	2	1600	7	50	0,12	00:40
White/Color 40°C		40	2	1600	7	50	0,40	00:49
White/Color 60°C		60	2	1600	7	50	1,10	00:59
White/Color 60°C		60	2	1600	3.5	31	0,70	00:59
White 90°C		90	2	1600	7	58	2,10	01:08
Super quick wash 40°C		40	2	800	3.5	40	0,30	00:35
Super quick wash 60°C		60	2	800	3.5	48	0,68	00:40
Synthetic 40°C		40	2	1200	3.5	40	0,13	00:38
Wool/Hand 30°C		30	2	800	3	35	0,03	00:35
Rinse			1	1600	7	14	0,07	00:22
Spinning				1600	7		0,06	00:17
Drain				1600	7		0,01	00:01
MOP 60°C	■	60	3	1600	7	76	1,00	01:23
MOP 90°C	■	90	3	1600	7	76	2,00	01:35
Microfibre 40°C		40	2	1600	7	54	0,22	00:53
Microfibre 60°C		60	2	1600	7	62	0,70	01:08
Disinfection 40°C	■	40	3	1600	7	68	0,70	01:34
Disinfection 60°C	■	60	3	1600	7	76	1,30	02:19
Disinfection 90°C	■	90	3	1600	7	76	2,50	02:03
Allergy Cotton 60°C		60	4	1600	7	86	1,00	02:23
Allergy Cotton 90°C		90	4	1600	7	86	2,60	02:35
Allergy Synthetic 40°C		40	3	1200	3.5	55	0,29	01:38
Allergy Synthetic 60°C		60	3	1200	3.5	63	0,74	01:50
Drum Cleaning		90	3		/	72	1,04	01:03

Model: WMC6763PC.S WMC6763VC.S								
Program	Prewash	Temp. °C	Number of rinses	Spinning speed (rpm)	Maximum load (kg)	Total Water Consumption (L)	Power consumption (approximately, kWh)	Program duration (approximately, in hours and minutes)
ECO 40-60				1400	7		0,58	02:55
Heavy wash 60°C	■	60	3	1400	7	71	1,30	01:40
Heavy wash 90°C	■	90	3	1400	7	71	2,30	02:10
White/Color 20°C		20	2	1400	7	50	0,14	00:40
White/Color 40°C		40	2	1400	7	50	0,46	00:49
White/Color 60°C		60	2	1400	7	50	1,30	00:59
White/Color 60°C		60	2	1400	3.5	31	0,72	00:59
White 90°C		90	2	1400	7	58	2,30	01:28
Super quick wash 40°C		40	2	800	3.5	40	0,30	00:35
Super quick wash 60°C		60	2	800	3.5	48	0,70	00:40
Synthetic 40°C		40	2	1200	3.5	40	0,19	00:40
Wool/Hand 30°C		30	2	800	3	35	0,05	00:35
Rinse			1	1400	7	14	0,07	00:22
Spinning				1400	7		0,06	00:17
Drain				1400	7		0,01	00:01
MOP 60°C	■	60	3	1400	7	76	1,20	01:30
MOP 90°C	■	90	3	1400	7	76	2,20	02:00
Microfibre 40°C		40	2	1400	7	54	0,26	00:55
Microfibre 60°C		60	2	1400	7	62	0,90	01:15
Disinfection 40°C	■	40	3	1400	7	68	0,80	01:35
Disinfection 60°C	■	60	3	1400	7	76	1,50	02:25
Disinfection 90°C	■	90	3	1400	7	76	2,70	02:20
Allergy Cotton 60°C		60	4	1400	7	86	1,20	02:30
Allergy Cotton 90°C		90	4	1400	7	86	2,80	03:00
Allergy Synthetic 40°C		40	3	1200	3.5	55	0,35	01:40
Allergy Synthetic 60°C		60	3	1200	3.5	63	0,80	01:55
Drum Cleaning		90	3		/	72	1,10	01:10

Washing Machine **Program Times**

Model: WMC6743PF.S								
Program	Prewash	Temp. °C	Number of rinses	Spinning speed (rpm)	Maximum load (kg)	Total Water Consumption (L)	Power consumption (approximately, kWh)	Program duration (approximately, in hours and minutes)
ECO 40-60				1400	7		0,58	02:55
Heavy wash 60°C	■	60	3	1400	7	71	1,30	01:40
Heavy wash 90°C	■	90	3	1400	7	71	2,30	02:10
White/Color 20°C		20	2	1400	7	50	0,14	00:40
White/Color 40°C		40	2	1400	7	50	0,46	00:49
White/Color 60°C		60	2	1400	7	50	1,30	00:59
White/Color 60°C		60	2	1400	3.5	31	0,72	00:59
White 90°C		90	2	1400	7	58	2,30	01:28
Super quick wash 40°C		40	2	800	3.5	40	0,30	00:35
Super quick wash 60°C		60	2	800	3.5	48	0,70	00:40
Synthetic 40°C		40	2	1200	3.5	40	0,19	00:40
Wool/Hand 30°C		30	2	800	3	35	0,05	00:35
Rinse			1	1400	7	14	0,07	00:22
Spinning				1400	7		0,06	00:17
Drain				1400	7		0,01	00:01
MOP 60°C	■	60	3	1400	7	76	1,20	01:30
MOP 90°C	■	90	3	1400	7	76	2,20	02:00
Microfibre 40°C		40	2	1400	7	54	0,26	00:55
Microfibre 60°C		60	2	1400	7	62	0,90	01:15
Disinfection 40°C	■	40	3	1400	7	68	0,80	01:35
Disinfection 60°C	■	60	3	1400	7	76	1,50	02:25
Disinfection 90°C	■	90	3	1400	7	76	2,70	02:20
Allergy Cotton 60°C		60	4	1400	7	86	1,20	02:30
Allergy Cotton 90°C		90	4	1400	7	86	2,80	03:00
Allergy Synthetic 40°C		40	3	1200	3.5	55	0,35	01:40
Allergy Synthetic 60°C		60	3	1200	3.5	63	0,80	01:55
Drum Cleaning		90	3		/	72	1,10	01:10

Model: WMC6743VB.T								
Program	Prewash	Temp. °C	Number of rinses	Spinning speed (rpm)	Maximum load (kg)	Total Water Consumption (L)	Power consumption (approximately, kWh)	Program duration (approximately, in hours and minutes)
ECO 40-60								
Heavy wash 60°C	■	60	3	1400	7	71	1,30	01:40
Heavy wash 90°C	■	90	3	1400	7	71	2,30	02:10
White/Color 20°C		20	2	1400	7	50	0,14	00:40
White/Color 40°C		40	2	1400	7	50	0,46	00:49
White/Color 60°C		60	2	1400	7	50	1,30	00:59
White/Color 60°C		60	2	1400	3.5	31	0,72	00:59
White 90°C		90	2	1400	7	58	2,30	01:28
Super quick wash 40°C		40	2	800	3.5	40	0,30	00:35
Super quick wash 60°C		60	2	800	3.5	48	0,70	00:40
Synthetic 40°C		40	2	1200	3.5	40	0,19	00:40
Wool/Hand 30°C		30	2	800	3	35	0,05	00:35
Rinse			1	1400	7	14	0,07	00:22
Spinning				1400	7		0,06	00:17
Drain				1400	7		0,01	00:01
MOP 60°C	■	60	3	1400	7	76	1,20	01:30
MOP 90°C	■	90	3	1400	7	76	2,20	02:00
Microfibre 40°C		40	2	1400	7	54	0,26	00:55
Microfibre 60°C		60	2	1400	7	62	0,90	01:15
Disinfection 40°C	■	40	3	1400	7	68	0,80	01:35
Disinfection 60°C	■	60	3	1400	7	76	1,50	02:25
Disinfection 90°C	■	90	3	1400	7	76	2,70	02:20
Allergy Cotton 60°C		60	4	1400	7	86	1,20	02:30
Allergy Cotton 90°C		90	4	1400	7	86	2,80	03:00
Allergy Synthetic 40°C		40	3	1200	3.5	55	0,35	01:40
Allergy Synthetic 60°C		60	3	1200	3.5	63	0,80	01:55
Drum Cleaning		90	3		/	72	1,10	01:10

Washing Machine **Program Times**

Model: WMC6743PB.T								
Program	Prewash	Temp. °C	Number of rinses	Spinning speed (rpm)	Maximum load (kg)	Total Water Consumption (L)	Power consumption (approximately, kWh)	Program duration (approximately, in hours and minutes)
ECO 40-60				1400			0,58	
Heavy wash 60°C	■	60	3	1400	7	71	1,30	01:40
Heavy wash 90°C	■	90	3	1400	7	71	2,30	02:10
White/Color 20°C		20	2	1400	7	50	0,14	00:40
White/Color 40°C		40	2	1400	7	50	0,46	00:49
White/Color 60°C		60	2	1400	7	50	1,30	00:59
White/Color 60°C		60	2	1400	3.5	31	0,72	00:59
White 90°C		90	2	1400	7	58	2,30	01:28
Super quick wash 40°C		40	2	800	3.5	40	0,30	00:35
Super quick wash 60°C		60	2	800	3.5	48	0,70	00:40
Synthetic 40°C		40	2	1200	3.5	40	0,19	00:40
Wool/Hand 30°C		30	2	800	3	35	0,05	00:35
Rinse			1	1400	7	14	0,07	00:22
Spinning				1400	7		0,06	00:17
Drain				1400	7		0,01	00:01
MOP 60°C	■	60	3	1400	7	76	1,20	01:30
MOP 90°C	■	90	3	1400	7	76	2,20	02:00
Microfibre 40°C		40	2	1400	7	54	0,26	00:55
Microfibre 60°C		60	2	1400	7	62	0,90	01:15
Disinfection 40°C	■	40	3	1400	7	68	0,80	01:35
Disinfection 60°C	■	60	3	1400	7	76	1,50	02:25
Disinfection 90°C	■	90	3	1400	7	76	2,70	02:20
Allergy Cotton 60°C		60	4	1400	7	86	1,20	02:30
Allergy Cotton 90°C		90	4	1400	7	86	2,80	03:00
Allergy Synthetic 40°C		40	3	1200	3.5	55	0,35	01:40
Allergy Synthetic 60°C		60	3	1200	3.5	63	0,80	01:55
Drum Cleaning		90	3		/	72	1,10	01:10

Model: WMC6742P.T WMC6742V.T								
Program	Prewash	Temp. °C	Number of rinses	Spinning speed (rpm)	Maximum load (kg)	Total Water Consumption (L)	Power consumption (approximately, kWh)	Program duration (approximately, in hours and minutes)
ECO 40-60			2	1400	7	46	0,9	02:55
Heavy wash 60°C	■	60	3	1400	7	71	1,30	01:40
Heavy wash 90°C	■	90	3	1400	7	71	2,30	02:10
White/Color 20°C		20	2	1400	7	46	0,14	00:40
White/Color 40°C		40	2	1400	7	50	0,46	00:49
White/Color 60°C		60	2	1400	7	50	1,30	00:59
White/Color 60°C		60	2	1400	3.5	31	0,72	00:59
White 90°C		90	2	1400	7	58	2,30	01:28
Super quick wash 40°C		40	2	800	3.5	40	0,30	00:35
Super quick wash 60°C		60	2	800	3.5	48	0,70	00:40
Synthetic 40°C		40	2	1200	3.5	40	0,19	00:40
Wool/Hand 30°C		30	2	800	3	35	0,05	00:35
Rinse			1	1400	7	14	0,07	00:22
Spinning				1400	7	0	0,06	00:17
Drain				1400	7	0	0,01	00:01
MOP 60°C	■	60	3	1400	7	76	1,20	01:30
MOP 90°C	■	90	3	1400	7	76	2,20	02:00
Microfibre 40°C		40	2	1400	7	54	0,26	00:55
Microfibre 60°C		60	2	1400	7	62	0,90	01:15
Disinfection 40°C	■	40	3	1400	7	68	0,80	01:35
Disinfection 60°C	■	60	3	1400	7	76	1,50	02:25
Disinfection 90°C	■	90	3	1400	7	76	2,70	02:20
Allergy Cotton 60°C		60	4	1400	7	86	1,20	02:30
Allergy Cotton 90°C		90	4	1400	7	86	2,80	03:00
Allergy Synthetic 40°C		40	3	1200	3.5	55	0,35	01:40
Allergy Synthetic 60°C		60	3	1200	3.5	63	0,80	01:55
Drum Cleaning		90	3		/	72	1,10	01:10

Washing Machine Segments



MODELS	WMC8947VI.S	WMC8947PI.S	WMC8943VC.S	WMC8943PC.S	WMC8944VB.T
Cleaning companies	X		X		X
Self-service Laundries	X		X		
Salons & Leisure		X		X	
Health care		X		X	
Hotels & Restaurants	X	X	X	X	X
Camping & Marinas	X	X	X	X	X
Institutions & Offices		X		X	
Marine & Offshore					

MODELS	WMC8944PB.T	WMC6744PP.S	WMC6743PF.S	WMC6767VI.S	WMC6763VC.S
Cleaning companies				X	X
Self-service Laundries				X	X
Salons & Leisure	X				
Health care	X				
Hotels & Restaurants	X			X	X
Camping & Marinas					X
Institutions & Offices	X				
Marine & Offshore		X	X		

MODELS	WMC6763PC.S	WMC6743VB.T	WMC6743PB.T	WMC6742V.T	WMC6742P.T
Cleaning companies		X		X	
Self-service Laundries					
Salons & Leisure	X		X		X
Health care	X		X		X
Hotels & Restaurants	X	X	X	X	X
Camping & Marinas					
Institutions & Offices	X		X		X
Marine & Offshore					

Washing Machine Accessories



LTC - Laundry Trolley

Stainless Steel

Fits with all Professional laundry.

SAP 171864



HPL530S (6-7 kg) / HPL830S (8-9 kg) - Plinth

WxDxH: 602x524x293 mm , WxDxH: 602x639x293 mm

Stainless Steel

Fits with all Washing Machines and Tumble Dryers.

SAP 441663, 445501



LBC411 - Lint Box

Lint box that can contain 38 liter and covering up to three machines. Can be used for all valve models.

SAP 200077

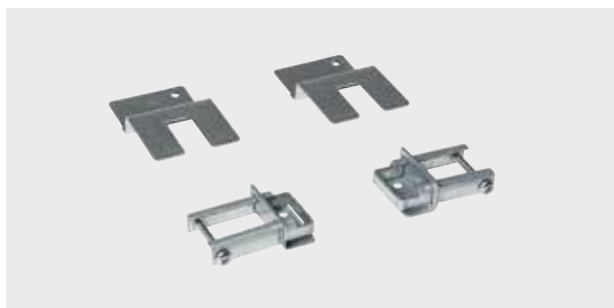


Marine Stacking Kit

Stainless Steel

Fits with all Professional Washing Machines and Tumble Dryers.

SAP 855443

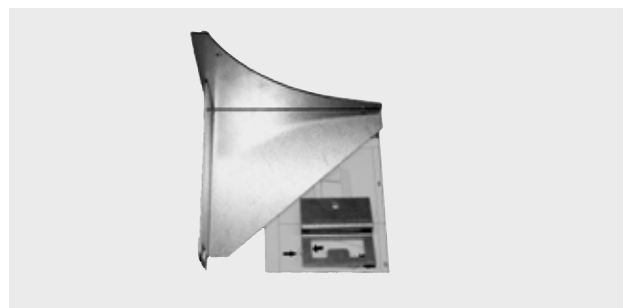


Marine Tip Guard

Stainless Steel

Fixing brackets to secure Washers and Dryers to the floor for marine installations.

SAP 422697



Stacking Kit WM85.C/TD75.C

Stainless Steel

Fits with all Washers WM85.C and Dryers TD75.C.

SAP 452468



ASKO Smart R Plus Kit

External dosing system with three pumps.
Code: REC 400419



External System Interface

Fits with all Professional Washing Machines and Tumble Dryers.
SAP 842964



Washing Machine Accessories



BEAS Card loader

Pocket loader II, lite.

Fits with all Professional Washing Machines and Tumble Dryers.
Code: 77.5000.000000.7



BEAS User cards

For BEAS Payment System "card",

Fits with all Professional Washing Machines and Tumble Dryers.
Code: 36.21000.000000.4



WiFi Module

Card to be able to connect to WiFi and ConnectLife.
SAP 842982



Token for Coin Payment System

For BEAS Payment System "coin", 100 pcs
Code: 71.20200.000000.6



BEAS Coin - Payment System

C123-1 BeasCard automat f/ 1 unit 230 V.
 C123-2 BeasCard automat f/ 2 units 230 V.
 C123-3 BeasCard automat f/ 3 units 230 V.
 Code: 78.12310.01230.0 (1 unit), 78.12310.02230.9 (2 units),
 78.123.03230.8 (3 units)



BEAS Card - Payment System

C123-1 BeasCard automat f/ 1 unit 230 V.
 C123-2 BeasCard automat f/ 2 units 230 V.
 C123-3 BeasCard automat f/ 3 units 230 V.
 Code: 76.1233.00123.0 (1 unit), 76.1233.00230.4 (2 units),
 76.12333.03230.1 (3 units)



AIRWallet - Payment System

AirWallet PRO (24V og 230V) 2 years warranty,
 AirWallet payment
 Code: AIRWallet PRO



Cable Set Coin Op

Cable set for connecting coin op
 SAP 566858 WM75.C, 563437 WM85.C

60°C Heavy
90°C Heavy
20°C White/Color
40°C White/Color

Start ▶
Pause ||
Stop: 3s

ASKO
PROFESSIONAL

The image shows the upper right portion of a silver tumble dryer. It features the ASKO Professional logo, a horizontal handle cutout, and a power button. The dryer door is partially visible at the bottom right, showing the perforated drum and a latch mechanism.

Tumble Dryer



Tumble Dryer

Brushless Motor

BLDC - Long lasting motors

We have fitted our tumble dryers with extra reliable and quiet brushless motors. No brushes means a part less than can break.

Robust brushless induction motor with one-way operation leads to longer life-time, lower noise and faster drying.





Water Container

- Can contain 6 liters of water
- Easy to empty
- Possible to connect to auto drain (tube is included)
- Notification in the display will indicate when the tank needs to be emptied

Tumble Dryer
Self-cleaning filter



Self-cleaning condenser filter

ASKO Professional heat pump dryers are fitted with an automatic self-cleaning filter that eliminates the need to remove lint from the condenser filter. The water that condenses in the evaporator is conveyed up to the condensed water container. Then it is sprayed on the evaporation filter and filtered through the mesh and filter foam.

The cleaning sequence takes place twice in the drying cycle to ensure an efficient drying process and low energy consumption.

Easy to clean condenser

- The condenser tumble dryer has an easy-to-remove condenser.
- The condenser dryer is easy to clean.
- Rinse the condenser with water
- Indication of condenser filter cleaning as display reminder.
- Default every 10 cycles.
- Possible to adjust steplessly from 10, 20, 30 to 100 cycles at maximum.



Tumble Dryer
Self-cleaning filter





Door Concept

- Door with double lint filter
- Hinged with a sturdy metal door hinge.
- 180° door opening angle for easy loading and unloading
- Door is right hinged by default but possible to re-hang to left hinged
- Durable metal locking hook

Easy cleaning door filter

Effective lint trap that prevents lint and dust to reach the more sensitive and hard to clean condenser and fan.

- Easy to clean, just wipe off by hand.
- Easy opening of the Door Filter.
- Bayonette and screw fixation of filter frame
- Indication of lint filter cleaning as display reminder.

Tumble Dryer
Sensi Dry™



Sensi Dry™ - no more overdrying

Our unique Sensi Dry™ system determines the length of drying time required. Interaction between temperature sensors makes the drying result more even and more reliable than a conventional type of sensor (which gauges electrical resistance). When you choose Auto dry you can

decide how dry you want the load to be by simply choosing one of up to seven Auto programs. After that, our unique Sensi Dry™ system determines the length of drying time required. The program automatically stops when the clothes are dry.

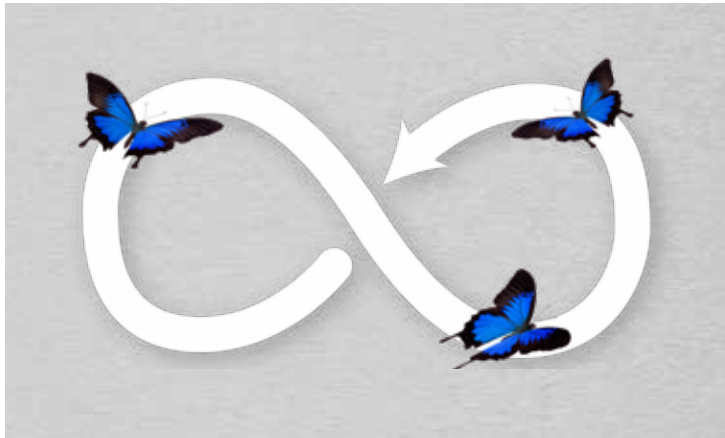


Tumble Dryer
Butterfly Drying™



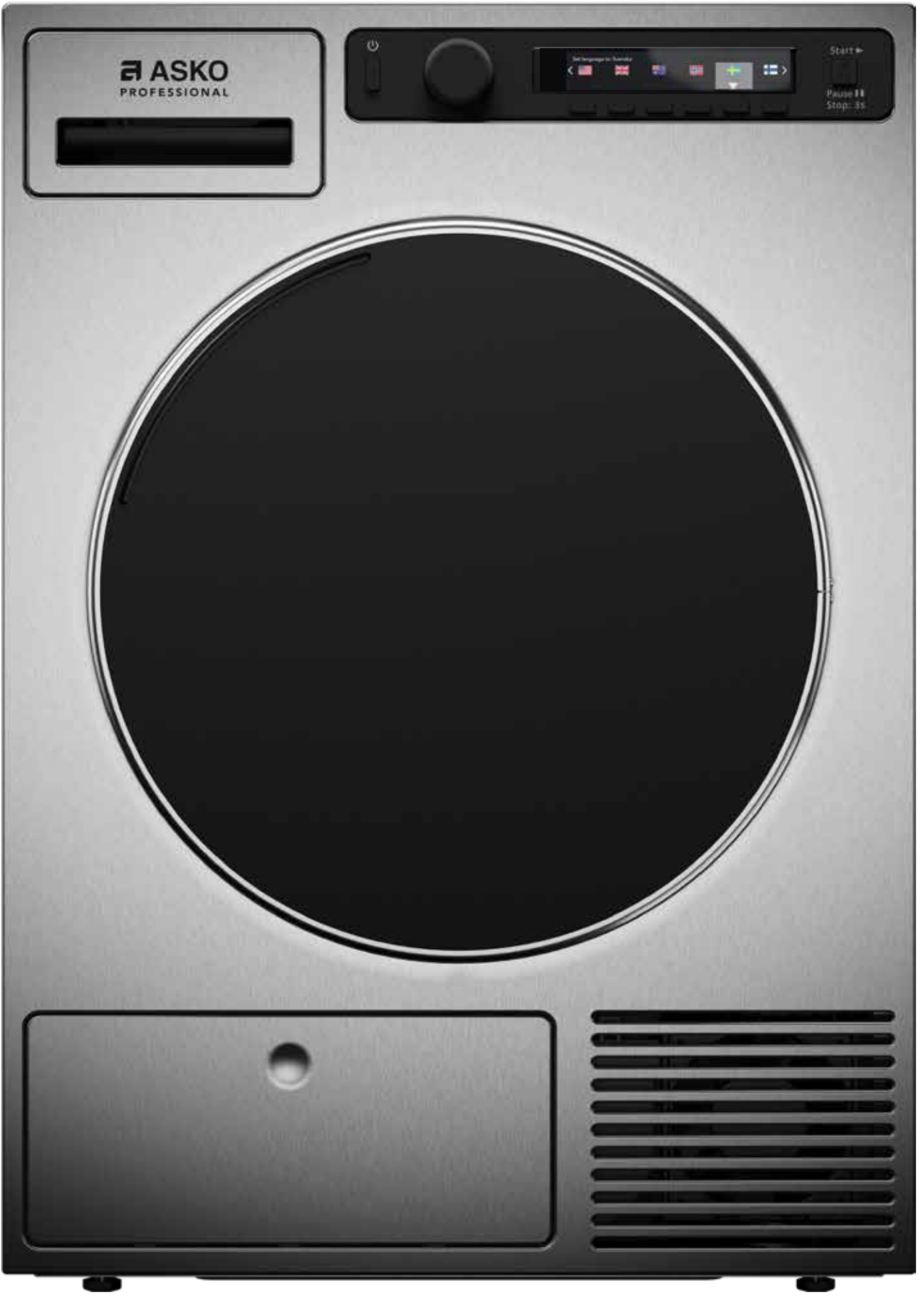
Butterfly Drying™ -

Due to our specially designed Air lift paddels, we tumble the laundry in a figure eight to prevent clothes from bundling and this is what we call Butterfly Drying™. Butterfly Drying™ creates a gentle environment inside the drum to take care of your laundry in the best possible way. Since it only is a small time of reversement of the drum, we save both the drive belt and motor, which provides greater durability.



The Air Lift™ paddles are designed to lift the load as high as possible to increase time in the air flow. It prevents clothes from bundling, and it is gentle on your clothes.

- Tumbles the clothes in a figure eight.
- The Air Lift™ paddles are designed to lift the load as high as possible to increase time in the air flow.
- Prevents clothes from bundling.
- Is gentle on your clothes.



Tumble Dryers



Tumble Dryer

Explore the range



TDC1481HC.S



Drain system: Heat Pump • Colour: Stainless Steel
Relay card - incl for Payment System

Specifications

- Drum Volume (L): 145
- Capacity kg: 8
- Energy consumption kWh/kg: 0,24
- Programs: 12
- Display Languages: 25
- Voltage: 230V
- Electrical Connection: 1ph
- Fuses: 10A
- Heater power: 0,9kW
- Frequency: 50Hz
- Re-Wireable/Via UI: No
- Self cleaning condense filter: Yes
- Wifi for ConnectLife: Yes
- Prepared for payment systems (coin / card and AIRwallet): Yes / Yes

Approvals

- ISO 9001:2015 Quality management and quality assurance
- ISO 14001: 2015 Environmental management systems
- ISO 45001: 2018 Occupational health and safety management systems
- CE approved
- Machinery directive

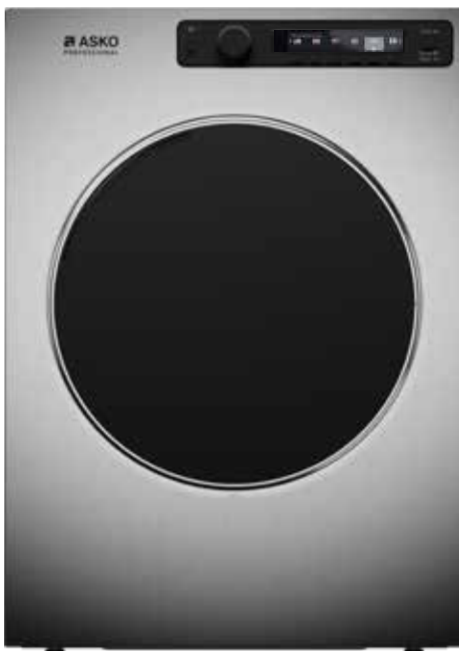
Accessories

- Plinth
- Laundry Trolley
- Payment System
- AIRWallet
- Locking Nuts Front Lid Cover

For images and more information, see pages 108-111.



TDC1485VI.S



Drain system: Vented • Colour: Stainless Steel
Relay card - incl for Payment System

Specifications

- Drum Volume (L): 145
- Capacity kg: 8
- Energy consumption kWh/kg: 0,57
- Programs: 17
- Display Languages: 25
- Voltage: 400V
- Electrical Connection: 3ph
- Fuses: 16A
- Heater power: 4,4kW
- Frequency: 50Hz
- Re-Wireable/Via UI: 1ph/3kW/16A
- Self cleaning condense filter: No
- Wifi for ConnectLife: Yes
- Prepared for payment systems (coin / card and AIRwallet): Yes / Yes

Approvals

- ISO 9001:2015 Quality management and quality assurance
- ISO 14001: 2015 Environmental management systems
- ISO 45001: 2018 Occupational health and safety management systems
- CE approved
- Machinery directive

Accessories

- Plinth
- Laundry Trolley
- Payment System
- AIRWallet

For images and more information,
see pages 108-111.

Tumble Dryer

Explore the range



TDC1485VB.T



Drain system: Vented • Colour: Titanium

Accessories

- Plinth
- Laundry Trolley
- Payment System
- AIRWallet
- External System Interface
- WiFi Module

For images and more information, see pages 108-111.

Specifications

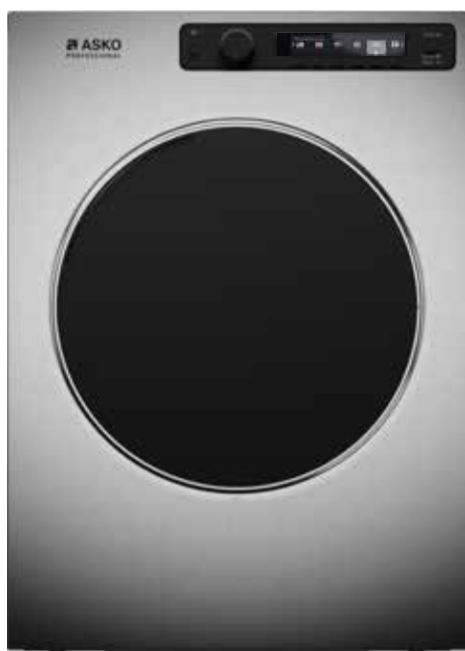
- Drum Volume (L): 145
- Capacity kg: 8
- Energy consumption kWh/kg: 0,57
- Programs: 17
- Display Languages: 25
- Voltage: 400V
- Electrical Connection: 3ph
- Fuses: 16A
- Heater power: 4,4kW
- Frequency: 50Hz
- Re-Wireable/Via UI: 1ph/3kW/16A
- Self cleaning condense filter: No
- Wifi for ConnectLife: No
- Prepared for payment systems (coin, card and AIRwallet): Yes / No

Approvals

- ISO 9001:2015 Quality management and quality assurance
- ISO 14001: 2015 Environmental management systems
- ISO 45001: 2018 Occupational health and safety management systems
- CE approved
- Machinery directive



TDC1773VP.S



Drain system: Vented • Colour: Stainless Steel
Relay card - incl for Payment System

Specifications

- Drum Volume (L): 117
- Capacity kg: 7
- Energy consumption kWh/kg: 0,21
- Programs: 17
- Display Languages: 25
- Voltage: 440V
- Electrical Connection: 2ph without o potential
- Transformer w/o 0-Potential: Yes
- Fuses: 10A
- Heater power: 3kW
- Frequency: 60Hz
- Re-Wireable/Via UI: 1ph/1,95kW/10A
- Self cleaning condense filter: No
- Wifi for ConnectLife: No
- Prepared for payment systems (coin / card and AIRwallet): No / No

Approvals

- ISO 9001:2015 Quality management and quality assurance
- ISO 14001: 2015 Environmental management systems
- ISO 45001: 2018 Occupational health and safety management systems
- CE approved
- Machinery directive

Accessories

- Plinth
- Marine Stacking Kit
- Laundry Trolley
- Payment System
- AIRWallet
- External System Interface
- WiFi Module
- Cable Set Coin Op

For images and more information,
see pages 108-111.

Tumble Dryer

Explore the range



TDC1773VF.S



Drain system: Vented • Colour: Stainless Steel

Accessories

- Plinth
- Marine Stacking Kit
- Laundry Trolley
- Payment System
- AIRWallet
- External System Interface
- WiFi Module
- Cable Set Coin Op

For images and more information, see pages 108-111.

Specifications

- Drum Volume (L): 117
- Capacity kg: 7
- Energy consumption kWh/kg: 0,57
- Programs: 17
- Display Languages: 25
- Voltage: 230V
- Electrical Connection: 1ph
- Fuses: 16A
- Heater power: 3kW
- Frequency: 60Hz
- Re-Wireable/Via UI: 1ph/1,95kW/10A
- Self cleaning condense filter: No
- Wifi for ConnectLife: No
- Prepared for payment systems (coin / card and AIRwallet): No / No

Approvals

- ISO 9001:2015 Quality management and quality assurance
- ISO 14001: 2015 Environmental management systems
- ISO 45001: 2018 Occupational health and safety management systems
- CE approved
- Machinery directive



TDC1771HC.S



Drain system: Heat Pump • Colour: Stainless Steel
Relay card - incl for Payment System

Specifications

- Drum Volume (L): 117
- Capacity kg: 7
- Energy consumption kWh/kg: 0,21
- Programs: 12
- Display Languages: 25
- Voltage: 230V
- Electrical Connection: 1ph
- Fuses: 10A
- Heater power: 0,9kW
- Frequency: 50Hz
- Re-Wireable/Via UI: No
- Self cleaning condense filter: Yes
- Wifi for ConnectLife: Yes
- Prepared for payment systems (coin / card and AIRwallet): Yes / Yes

Approvals

- ISO 9001:2015 Quality management and quality assurance
- ISO 14001: 2015 Environmental management systems
- ISO 45001: 2018 Occupational health and safety management systems
- CE approved
- Machinery directive

Accessories

- Plinth
- Laundry Trolley
- Stacking Kit WM85.C/TD75.C
- Payment System
- AIRWallet
- Locking Nuts Front Lid Cover

For images and more information,
see pages 108-111.

Tumble Dryer

Explore the range



TDC1772CC.S



Drain system: Condenser • Colour: Stainless Steel
Relay card - incl for Payment System

Specifications

- Drum Volume (L): 117
- Capacity kg: 7
- Energy consumption kWh/kg: 0,59
- Programs: 17
- Display Languages: 25
- Voltage: 230V
- Electrical Connection: 1ph
- Fuses: 16A
- Heater power: 2,5kW
- Frequency: 50Hz
- Re-Wireable/Via UI: 1ph/1,95kW/10A
- Self cleaning condense filter: No
- Wifi for ConnectLife: Yes
- Prepared for payment systems (coin / card and AIRwallet): Yes / Yes

Approvals

- ISO 9001:2015 Quality management and quality assurance
- ISO 14001: 2015 Environmental management systems
- ISO 45001: 2018 Occupational health and safety management systems
- CE approved
- Machinery directive

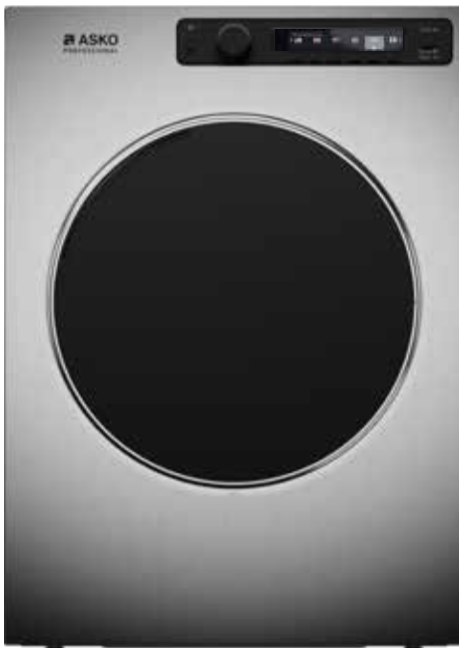
Accessories

- Plinth
- Laundry Trolley
- Stacking Kit WM85.C/TD75.C
- Payment System
- AIRWallet
- Locking Nuts Front Lid Cover

For images and more information,
see pages 108-111.



TDC1773VC.S



Drain system: Vented • Colour: Stainless Steel

Accessories

- Plinth
- Laundry Trolley
- Stacking Kit WM85.C/TD75.C
- Payment System
- AIRWallet

For images and more information, see pages 108-111.

Specifications

- Drum Volume (L): 117
- Capacity kg: 7
- Energy consumption kWh/kg: 0,57
- Programs: 17
- Display Languages: 25
- Voltage: 230V
- Electrical Connection: 1ph
- Fuses: 16A
- Heater power: 3kW
- Frequency: 50Hz
- Re-Wireable/Via UI: 1ph/1,95kW/10A
- Self cleaning condense filter: No
- Wifi for ConnectLife: Yes
- Prepared for payment systems (coin / card and AIRwallet): Yes / Yes

Approvals

- ISO 9001:2015 Quality management and quality assurance
- ISO 14001: 2015 Environmental management systems
- ISO 45001: 2018 Occupational health and safety management systems
- CE approved
- Machinery directive

Tumble Dryer

Explore the range



TDC1771H.T



Drain system: Heat Pump • Colour: titanium

Accessories

- Plinth
- Laundry Trolley
- Stacking Kit WM85.C/TD75.C
- Payment System
- AIRWallet
- External System Interface
- WiFi Module
- Locking Nuts Front Lid Cover

For images and more information, see pages 108-111.

Specifications

- Drum Volume (L): 117
- Capacity kg: 7
- Energy consumption kWh/kg: 0,21
- Programs: 12
- Display Languages: 25
- Voltage: 230V
- Electrical Connection: 1ph
- Fuses: 10A
- Heater power: 0,9kW
- Frequency: 50Hz
- Re-Wireable/Via UI: No
- Self cleaning condense filter: Yes
- Wifi for ConnectLife: No
- Prepared for payment systems (coin / card and AIRwallet): Yes / No

Approvals

- ISO 9001:2015 Quality management and quality assurance
- ISO 14001: 2015 Environmental management systems
- ISO 45001: 2018 Occupational health and safety management systems
- CE approved
- Machinery directive



TDC1772C.T



Drain system: Condenser • Colour: Titanium

Accessories

- Plinth
- Laundry Trolley
- Stacking Kit WM85.C/TD75.C
- Payment System
- AIRWallet
- External System Interface
- WiFi Module
- Locking Nuts Front Lid Cover

For images and more information, see pages 108-111.

Specifications

- Drum Volume (L): 117
- Capacity kg: 7
- Energy consumption kWh/kg: 0,59
- Programs: 17
- Display Languages: 25
- Voltage: 230V
- Electrical Connection: 1ph
- Fuses: 16A
- Heater power: 2,5kW
- Frequency: 50Hz
- Re-Wireable/Via UI: 1ph/1,95kW/10A
- Self cleaning condense filter: No
- Wifi for ConnectLife: No
- Prepared for payment systems (coin / card and AIRwallet): Yes / No

Approvals

- ISO 9001:2015 Quality management and quality assurance
- ISO 14001: 2015 Environmental management systems
- ISO 45001: 2018 Occupational health and safety management systems
- CE approved
- Machinery directive

Tumble Dryer

Explore the range



TDC1773V.T



Drain system: Vented • Colour: Titanium

Accessories

- Plinth
- Laundry Trolley
- Stacking Kit WM85.C/TD75.C
- Payment System
- AIRWallet
- External System Interface
- WiFi Module

For images and more information, see pages 108-111.

Specifications

- Drum Volume (L): 117
- Capacity kg: 7
- Energy consumption kWh/kg: 0,57
- Programs: 17
- Display Languages: 25
- Voltage: 230V
- Electrical Connection: 1ph
- Fuses: 16A
- Heater power: 3kW
- Frequency: 50Hz
- Re-Wireable/Via UI: 1ph/1,95kW/10A
- Self cleaning condense filter: No
- Wifi for ConnectLife: No
- Prepared for payment systems (coin / card and AIRwallet): Yes / No

Approvals

- ISO 9001:2015 Quality management and quality assurance
- ISO 14001: 2015 Environmental management systems
- ISO 45001: 2018 Occupational health and safety management systems
- CE approved
- Machinery directive



Tumble Dryer

Programs

PROGRAM	MAX KG*	DESCRIPTION	VENTED / CONDENSE	HEAT PUMP
AUTO EXTRA, Normal temp	7	Use this program for non-sensitive cotton laundry. After drying, it will be completely dry and ready to be stored in the wardrobe.	X	X
AUTO EXTRA, Low temp	7	Use this program for cotton laundry. After drying, it will be completely dry and ready to be stored in the wardrobe.	X	-
AUTO DRY, Normal temp	7	Use this program for non-sensitive cotton laundry. After drying, it will be completely dry and ready to be stored in the wardrobe.	X	X
AUTO DRY, Low temp	7	Use this program for cotton laundry. After drying, it will be completely dry and ready to be stored in the wardrobe.	X	-
AUTO NORMAL, Normal temp	7	Use this program for non-sensitive cotton laundry of approximately the same thickness.	X	X
AUTO NORMAL, Low temp	7	Use this program for cotton laundry of approximately the same thickness.	X	-
AUTO HAND IRON, Normal temp	7	Use this program for cotton laundry. After drying, hand ironing is required.	X	X
AUTO HAND IRON, Low temp	7	Use this program for sensitive cotton laundry. After drying, hand ironing is required.	X	-
AUTO MACHINE IRON, Normal temp	7	Use this program for cotton laundry. After drying, machine ironing is required.	X	X
AUTO MACHINE IRON, Low temp	7	Use this program for sensitive cotton laundry. After drying, machine ironing is required.	X	-
MIX DRY	3,5	This program is used for synthetic or mixed fibre fabrics, such as multi-functional sport clothes. After drying, ironing is not required.	X	X
MIX IRON	3,5	This program is used for synthetic or mixed fibre fabrics. After drying, ironing is required.	X	X
TIME 80 min	4	Cycle will stop when set time is reached. The time program is suitable for small loads.	X	X
TIME 60 min	4	Cycle will stop when set time is reached. The time program is suitable for small loads.	X	X
TIME 40 min	4	Cycle will stop when set time is reached. The time program is suitable for small loads.	X	X
TIME 20 min	4	Cycle will stop when set time is reached. The time program is suitable for small loads.	X	X
AIRING 60 min	2	Use this program to just refresh or soften clothing.	X	X

Extra fast programs

The high power of 5.0 kW (TDC1485) ensures that you can save 40% on program time. This means that the machine can handle 8 kg of cotton in just 56 minutes (normal dry).

Heat pump Technology

Saves up to approx. 65% on electricity consumption compared to a standard model.

Tumble Dryer Segments



MODELS	TDC1481HC.S	TDC1485VI.S	TDC1485VB.T	TDC1773VP.S	TDC1773VF.S	TDC1771HC.S
Cleaning companies	X	X	X			X
Self-service Laundries		X	X			
Salons & Leisure	X	X	X			X
Health care	X	X	X			X
Hotels & Restaurants	X	X	X			X
Camping & Marinas	X	X	X			
Institutions & Offices	X	X	X			X
Marine & Offshore				X	X	

MODELS	TDC1772CC.S	TDC1773VC.S	TDC1771H.T	TDC1772C.T	TDC1773V.T
Cleaning companies	X	X	X	X	X
Self-service Laundries	X	X	X	X	X
Salons & Leisure	X	X	X	X	X
Health care	X	X	X	X	X
Hotels & Restaurants	X	X	X	X	X
Camping & Marinas	X	X	X	X	X
Institutions & Offices	X	X	X	X	X
Marine & Offshore					

Tumble Dryer

Program Times

Model: TDC1481HC.S	Amount	Spinning speed (rpm)	Power consumption, approximately (kWh)*	Program duration, approximately (min)*
Program				
AUTO EXTRA, Normal temp	Full load	1400	2,05	180
AUTO EXTRA, Low temp	-	-	-	-
AUTO DRY, Normal temp	Full load	1400	1,95	170
AUTO DRY, Low temp	-	-	-	-
AUTO NORMAL, Normal temp	Full load	1400	1,60	150
	Full load	1000	1,88	165
AUTO NORMAL, Low temp	-	-	-	-
AUTO HAND IRON, Normal temp	Full load	1400	1,45	135
AUTO HAND IRON, Low temp	-	-	-	-
AUTO MACHINE IRON, Normal temp	Full load	1400	1,10	105
	Full load	1000	1,42	128
AUTO MACHINE IRON, Low temp	-	-	-	-
MIX DRY	Partial load	1200	0,65	60
MIX IRON	Partial load	1000	0,50	50

Model: TDC1485VI.S TDC1485VB.T	Amount	Spinning speed (rpm)	Power consumption, approximately (kWh)*	Program duration, approximately (min)*
Program				
AUTO EXTRA, Normal temp	Full load	1400	4,75	80
AUTO EXTRA, Low temp	Full load	1400	4,75	133
AUTO DRY, Normal temp	Full load	1400	4,14	70
AUTO DRY, Low temp	Full load	1400	4,15	110
AUTO NORMAL, Normal temp	Full load	1400	3,80	56
	Full load	1000	4,62	68
AUTO NORMAL, Low temp	Full load	1400	3,75	90
AUTO HAND IRON, Normal temp	Full load	1400	3,45	53
AUTO HAND IRON, Low temp	Full load	1400	3,45	80
AUTO MACHINE IRON, Normal temp	Full load	1400	2,72	45
	Full load	1000	3,40	52
AUTO MACHINE IRON, Low temp	Full load	1400	2,75	67
MIX DRY	Partial load	1200	1,70	30
MIX IRON	Partial load	1000	1,30	20

Model: TDC1771HC.S	Amount	Spinning speed (rpm)	Power consumption, approximately (kWh)*	Program duration, approximately (min)*
Program				
AUTO EXTRA, Normal temp	Full load	1400	1,80	165
AUTO EXTRA, Low temp	-	-	-	-
AUTO DRY, Normal temp	Full load	1400	1,50	145
AUTO DRY, Low temp	-	-	-	-
AUTO NORMAL, Normal temp	Full load	1400	1,25	120
	Full load	1000	1,45	140
AUTO NORMAL, Low temp	-	-	-	-
AUTO HAND IRON, Normal temp	Full load	1400	1,15	115
AUTO HAND IRON, Low temp	-	-	-	-
AUTO MACHINE IRON, Normal temp	Full load	1400	0,90	95
	Full load	1000	1,10	110
AUTO MACHINE IRON, Low temp	-	-	-	-
MIX DRY	Partial load	1200	0,65	60
MIX IRON	Partial load	1000	0,50	50

Model: TDC1772C.T TDC1772CC.S	Amount	Spinning speed (rpm)	Power consumption, approximately (kWh)*	Program duration, approximately (min)*
Program				
AUTO EXTRA, Normal temp	Full load	1400	4,60	155
AUTO EXTRA, Low temp	Full load	1400	5,50	250
AUTO DRY, Normal temp	Full load	1400	3,95	130
AUTO DRY, Low temp	Full load	1400	4,20	175
AUTO NORMAL, Normal temp	Full load	1400	3,65	115
	Full load	1000	4,14	135
AUTO NORMAL, Low temp	Full load	1400	3,90	190
AUTO HAND IRON, Normal temp	Full load	1400	3,30	105
AUTO HAND IRON, Low temp	Full load	1400	3,50	140
AUTO MACHINE IRON, Normal temp	Full load	1400	2,74	95
	Full load	1000	3,30	110
AUTO MACHINE IRON, Low temp	Full load	1400	2,82	120
MIX DRY	Partial load	1200	1,90	75
MIX IRON	Partial load	1000	1,50	55

Tumble Dryer

Program Times

Model: TDC1773V.T TDC1773VC.S TDC1773VF.S	Amount	Spinning speed (rpm)	Power consumption, approximately (kWh)*	Program duration, approximately (min)*
Program				
AUTO EXTRA, Normal temp	Full load	1400	4,25	95
AUTO EXTRA, Low temp	Full load	1400	4,30	140
AUTO DRY, Normal temp	Full load	1400	3,70	80
AUTO DRY, Low temp	Full load	1400	3,80	113
AUTO NORMAL, Normal temp	Full load	1400	3,35	70
	Full load	1000	4,00	80
AUTO NORMAL, Low temp	Full load	1400	3,45	103
AUTO HAND IRON, Normal temp	Full load	1400	3,10	66
AUTO HAND IRON, Low temp	Full load	1400	3,10	90
AUTO MACHINE IRON, Normal temp	Full load	1400	2,40	53
	Full load	1000	3,05	65
AUTO MACHINE IRON, Low temp	Full load	1400	2,35	72
MIX DRY	Partial load	1200	1,70	40
MIX IRON	Partial load	1000	1,35	30

Model: TDC1771H.T	Amount	Spinning speed (rpm)	Power consumption, approximately (kWh)*	Program duration, approximately (min)*
Program				
AUTO EXTRA, Normal temp	Full load	1400	1,80	165
	Full load	1600	1,76	158
AUTO DRY, Normal temp	Full load	1400	1,50	145
	Full load	1600	1,46	139
AUTO NORMAL, Normal temp	Full load	1000	1,45	140
	Full load	1400	1,25	120
	Full load	1600	1,16	115
AUTO HAND IRON, Normal temp	Full load	1400	1,15	115
	Full load	1600	1,01	107
AUTO MACHINE IRON, Normal temp	Full load	1000	1,10	110
	Full load	1400	0,90	95
	Full load	1600	0,81	86
MIX DRY	Partial load	1200	0,65	60
MIX IRON	Partial load	1000	0,50	50



Tumble Dryer Accessories



LTC61 - Laundry Trolley

Fits with all Professional Laundry Products.
SAP 171864



HPL530S / HPL830S - Plinth

WxDxH: 602x524x293 mm , WxDxH: 602x639x293 mm
Stainless Steel

Fits with all Washing Machines and Tumble Dryers for 8-9 kg
load.

SAP 441663, SAP 445501



Marine Stacking Kit

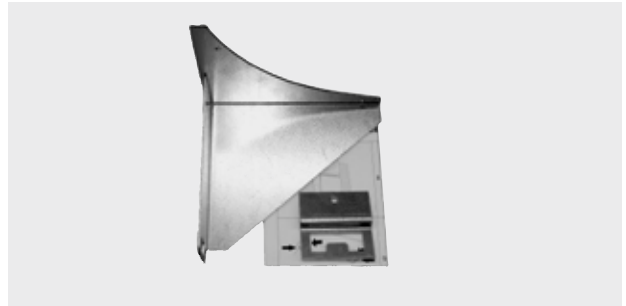
Stainless Steel

Fits with all Professional Washing Machines and Tumble Dryers.
SAP 855443



Marine Tip Guard

Stainless Steel
Fixing brackets to secure Washers and Dryers to the floor for marine installations.
SAP 422697



Stacking Kit WM85.C/TD75.C

Stainless Steel
Fits with all Washers WM85.C and Dryers TD75.C.
SAP 452468



WiFi Module

Card to be able to connect to WiFi and ConnectLife.
SAP 842982



External System Interface

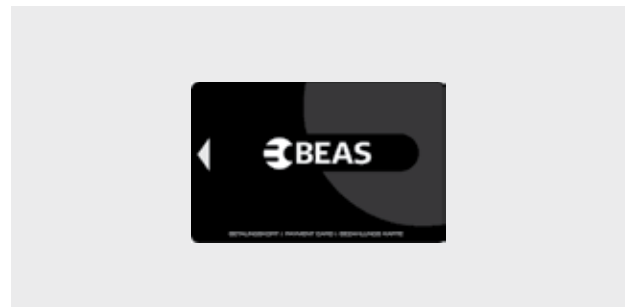
Fits with all Professional Washing Machines and Tumble Dryers.
SAP 441799

Tumble Dryer Accessories



BEAS Card loader

Pocket loader II, lite.
Fits with all Proferssional Washing Machines and Tumble Dryers.
Code: 77.5000.000000.7



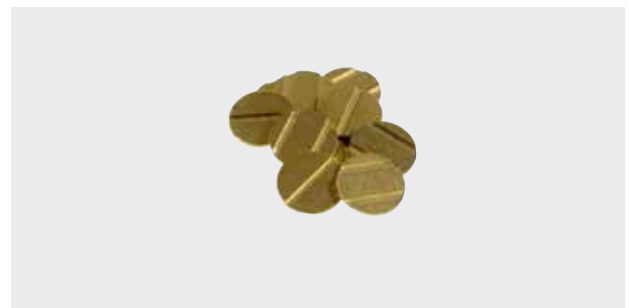
BEAS User cards

For BEAS Payment System "card",
Fits with all Proferssional Washing Machines and Tumble Dryers.
Code: 36.21000.00000.4



Locking Hexagon Nuts for Front Lid Cover

Hexagon locking nuts to make access only for maintenance staff.
SAP 452463



Token for Coin Payment System

For BEAS Payment System "coin", 100 pcs
Code: 71.20200.00000.6



BEAS Card - Payment System

C123-1 BeasCard automat f/ 1 unit 230 V.
C123-2 BeasCard automat f/ 2 units 230 V.
C123-3 BeasCard automat f/ 3 units 230 V.
Code: 76.1233.00123.0 (1 unit), 76.1233.00230.4 (2 units),
76.12333.03230.1 (3 units)



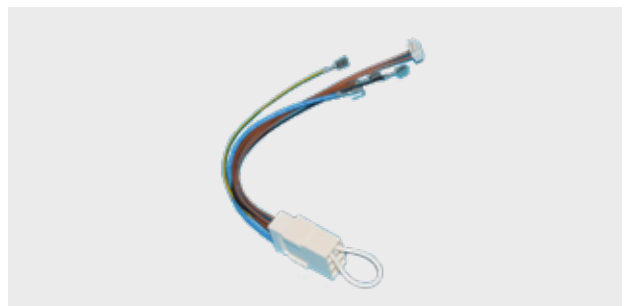
BEAS Coin - Payment System

C123-1 BeasCard automat f/ 1 unit 230 V.
C123-2 BeasCard automat f/ 2 units 230 V.
C123-3 BeasCard automat f/ 3 units 230 V.
Code: 78.12310.01230.0 (1 unit), 78.12310.02230.9 (2 units),
78.123.03230.8 (3 units)



AIRWallet - Payment System

AirWallet PRO (24V og 230V) 2 years warranty,
AirWallet payment
Code: AIRWallet PRO



Cable Set Coin Op - Payment System

Cable set for connection of coin op.
SAP 574416

Drying Cabinet







Heat pump drying cabinet

Our heat pump drying cabinets are low in energy consumption but high in drying efficiency. With a dewatering capacity of 22 g / min they dry a 5 kg load in just 90 minutes and with an energy consumption of just 0.3 kWh. The cabinet is a fully closed system which means that no exhaust air connection is required. The moisture condenses during the process and the water is conveyed to a detachable water tank or via a hose to a drain.

Also for shoe care

It's not just rubber boots that can be dried in a drying cabinet. All leather shoes need to rest between each use to allow moisture to escape. If you use them before they have dried, the seams will eventually break and they will lose their fit. Put them in the drying cabinet when you get home from work and they are ready for your evening walk an hour later.

Less mess

With a drying cabinet, you can dry your family's sweaters, shirts, coats, shoes, gloves and more in a neat, organized way. It's a brilliant way of taking care of your family's clothes while keeping the house neat and tidy.





Drying Cabinet



Drying Cabinet

Explore the range



DC7784HP.W



Type: Heat Pump • Colour: White

Specifications

- Capacity: 5 kg
- Total drying length: 16 m
- Control: Electronic sensor
- Display: Program name, Program time, Residual time, Error messages
- Display in 11 languages
- Shoe rack
- Glove hanger
- Bar hanger
- Door hanger
- Number of programs: 2
- Energy consumption: 0,3 kWh / Kg
- Average drying time: 90 min
- Noise level: 70 dB(A)
- Max connecting rating: 900 W
- Air flow in the cabinet: 945 m³ / hour
- Reversible door: Yes with rehanging kit
- Automatic drain: Yes

Approvals

- ISO9001: 2015 Quality management and quality assurance
- CE approved

Accessories

- Glove Holder
- Door hanger
- Rehanging kit

For images and more information, see page 124-125.



DC7784V.S



Type: Air vented • Colour: Stainless steel

Specifications

- Capacity: 4 kg
- Total drying length: 16 m
- Control: Electronic sensor
- Display: Program time, Residual time, Error messages
- Display in 11 languages
- Shoe rack
- Glove hanger
- Bar hanger
- Door hanger
- Number of programs: 8
- Energy consumption: 0,8 kWh / Kg
- Average drying time: 105 min
- Noise level: 60 dB(A)
- Max connecting rating: 1500 W
- Air flow in the cabinet: 180 m³ / hour
- Reversible door: Yes with rehangng kit

Approvals

- ISO9001: 2015 Quality management and quality assurance
- CE approved

Accessories

- Glove Holder
- Door hanger
- Rehangng kit

For images and more information, see page 124-125.

Drying Cabinet

Explore the range



DC7784V.W



Type: Air vented • Colour: White

Specifications

- Capacity: 4 kg
- Total drying length: 16 m
- Control: Electronic sensor
- Display: Program time, Residual time, Error messages
- Display in 11 languages
- Shoe rack
- Glove hanger
- Bar hanger
- Door hanger
- Number of programs: 8
- Energy consumption: 0,8 kWh / Kg
- Average drying time: 105 min
- Noise level: 60 dB(A)
- Max connecting rating: 1500 W
- Air flow in the cabinet: 180 m³ / hour
- Reversible door: Yes with rehanging kit

Approvals

- ISO9001: 2015 Quality management and quality assurance
- CE approved

Accessories

- Glove Holder
- Door hanger
- Rehanging kit

For images and more information,
see page 124-125.



DC7774V.W



Type: Air vented • Colour: White

Specifications

- Capacity: 4 kg
- Total drying length: 16 m
- Control: Electronic sensor
- Display: Program time, Residual time, Error messages
- Display in 11 languages
- Shoe rack
- Glove hanger
- Bar hanger
- Door hanger
- Number of programs: 8
- Energy consumption: 0,8 kWh / Kg
- Average drying time: 105 min
- Noise level: 60 dB(A)
- Max connecting rating: 1500 W
- Air flow in the cabinet: 180 m³ / hour
- Reversible door: Yes with rehangng kit

Approvals

- ISO9001: 2015 Quality management and quality assurance
- CE approved

Accessories

- Glove Holder
- Door hanger
- Rehangng kit

For images and more information,
see page 124-125.

Drying Cabinet Program Times

PROGRAM VENTED DRYING CABINETS	DESCRIPTION	ENERGY (kWh)	TIME (min)
Auto 40 °C Normal dry	Used for drying items of normal thickness.	0,6	165
Auto 40 °C Extra dry	Used for drying thicker items, deep drying.	0,71	195
Auto 60 °C Normal dry	Used for drying items of normal thickness.	0,62	120
Auto 60 °C Extra dry	Used for drying thicker items, deep drying.	0,77	150
Manual 30 °C	A time-controlled drying program that should be selected for sensitive fabrics that should not be exposed to temperatures above 30 °C.	0,5	150
Manual 40 °C	As above, but a somewhat higher drying temperature is allowed.	0,55	150
Manual 60 °C	As above, but the fabrics can be dried at max. 60 °C.	0,77	150
Manual	This is a very energy-efficient drying program without heat, only the fan dries the laundry.	0,07	480
PROGRAM HEAT PUMP DRYING CABINETS	DESCRIPTION	ENERGY (kWh)	TIME (min)
Auto Normal Dry	Used for drying items of normal thickness.	0,3	90
Auto Extra Dry	Used for drying thicker items, deep drying.	0,4	120

Drying Cabinet Segments



MODELS	DC7784HP.W	DC7784V.S	DC7784V.W	DC7774V.W
Cycles tested	15.000	15.000	15.000	15.000
Office & Institutions	X	X	X	X
Camping / Marinas	X	X	X	X
Healthcare	X	X	X	X
Hotels & Restaurants	X	X	X	X
Salons & Leisure	X	X	X	X
Cleaning Companies	X	X	X	X
Self-service Laundries	X	X	X	X

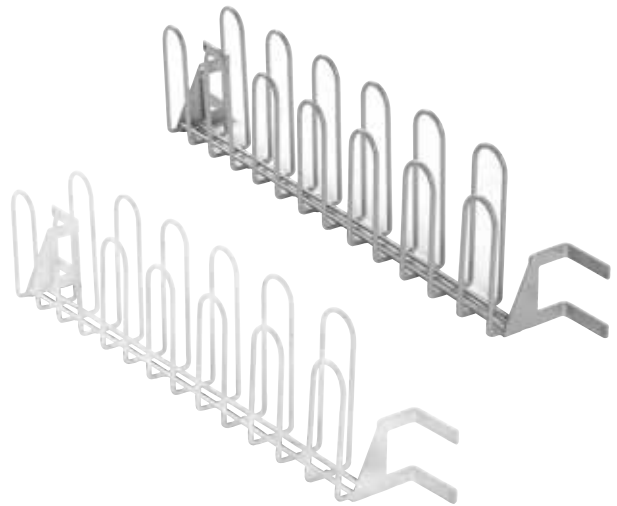


Drying Cabinet Accessories



Glove holder

Titanium, SAP 483854
White, SAP 360901
Fits with all Drying cabinets



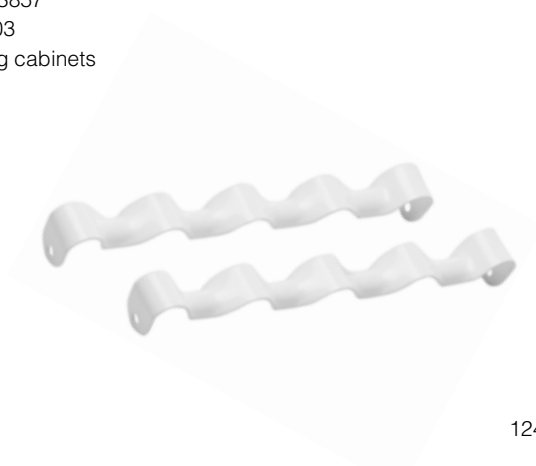
Door hanger

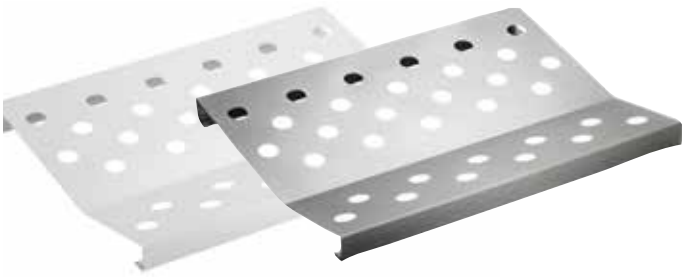
Titanium, SAP 483856
White, SAP 287536
Fits with all Drying cabinets



Bar for Hanger

Titanium, SAP 483857
White, SAP 285703
Fits with all Drying cabinets





Shoe Rack

Titanium, SAP 350742
White, SAP 483853
Fits with all Drying cabinets



Rehanging kit

SAP 721529
Fits with all Drying cabinets



Display kit

Stainless Steel, SAP 713200
Fits with WM/TD75.C

For display installation of a drying cabinet together with a stacked Washer, Dryer and hidden helper.





The background of the page is a night sky featuring a vibrant green aurora borealis. The aurora is most prominent in the upper left and lower left corners, with a bright, glowing band of light. The rest of the sky is dark, filled with numerous small, bright stars. In the foreground, the dark silhouettes of evergreen trees are visible, framing the right and bottom edges of the image. The overall color palette is dominated by shades of green and black.

Technical Specifications

WASHING MACHINES

MODEL DENOMINATION	WMC8947VI.S	WMC8947PI.S	WMC8943VC.S	WMC8943PC.S	WMC8944VB.T
Drum Volume	80l	80l	80l	80l	80l
Capacity kg	9	9	9	9	9
Spin Speed	1400 rpm	1400 rpm	1400 rpm	1400 rpm	1400 rpm
G-factor	530	530	530	530	530
Residual Moisture	49 %	49 %	49 %	49 %	49%
Voltage	400V	400V	230V	230V	400V
Electrical Connection	3ph	3ph	1ph	1ph	3ph
Transformer w/o 0-Potential	-	-	-	-	-
Fuses	16A	16A	16A	16A	10A
Element Effect	7kW	7kW	3kW	3kW	4,4kW
Frequency	50Hz	50Hz	50Hz	50Hz	50Hz
Re-Wireable	-	-	400V/3ph/3k-W/10A	400V/3ph/3k-W/10A	230V/1ph/2,2k-W/16A
Drain System	Valve	Pump	Valve	Pump	Valve
Motor	BLDC	BLDC	BLDC	BLDC	BLDC
Energy label	-	■	-	■	-
Energy Label Class	N/A	C	N/A	C	N/A
Energy consumption kW/kg	0,16	0,16	0,16	0,16	0,16
Water Consumption l/kg	7,0	7,0	7,0	7,0	7,0
Noise db(A) Spin	75	75	75	75	75
Standard Programs	26	26	26	26	26
Easy customizable programs	14	14	14	14	14
Fully customizable program slots	10	10	10	10	10
Program Duration 60 °C cotton (min)	60	60	60	60	98
Display Languages	25	25	25	25	25
Default Languages	English	English	English	English	English
Tactile Solution	■	■	■	■	■
Colour overall	Stainless Steel	Stainless Steel	Stainless Steel	Stainless Steel	Titanium
Detergent Compartment	Pull-Out	Pull-Out	Pull-Out	Pull-Out	Pull-Out
Water Connection	Hot & Cold	Hot & Cold	Hot & Cold	Hot & Cold	Hot & Cold
Water inlet connection	3/4	3/4	3/4	3/4	3/4
Water inlet adaptor	1/2	1/2	1/2	1/2	1/2
Plug Type	-	-	Schuko EU	Schuko EU	-
Approvals	CE, MD, EAC, WRAS	CE, MD, EAC, WRAS	CE, MD, EAC, WRAS	CE, MD, EAC, WRAS	CE, MD, EAC, WRAS
Floor fix tip guard	-	-	-	-	-
Weight Sensor System	■	■	■	■	-
Tested no of cycles.	30 000	30 000	30 000	30 000	30 000
WiFi for ConnectLife	■	■	■	■	-
Create and load customized programs	■	■	■	■	-
Delayed Start function	100 hr	100 hr	100 hr	100 hr	100 hr
Display Languages returns to pre-set language	■	■	■	■	■
External dosing system	■	■	■	■	-
Prepared for payment systems (coin, card and AIRwallet)	■	■	■	■	■

WASHING MACHINES

MODEL DENOMINATION	WMC8944PB.T	WMC6744PP.S	WMC6743PF.S	WMC6767VI.S	WMC6763VC.S
Drum Volume	80l	60l	60l	60l	60l
Capacity kg	9	7	7	7	7
Spin Speed	1400 rpm	1400 rpm	1400 rpm	1600 rpm	1600 rpm
G-factor	530	530	530	690	690
Residual Moisture	49%	49%	49%	44%	44%
Voltage	400V	440V	230V	400V	230V
Electrical Connection	3ph	2ph	1ph	3ph	1ph
Transformer w/o 0-Potential	-	■	-	-	-
Fuses	10A	16A	16A	10A	16A
Element Effect	4,4kW	4,4kW	3kW	7kW	3kW
Frequency	50Hz	60Hz	60Hz	50Hz	50Hz
Re-Wireable	230V/1ph/2,2kW/16A	-	3ph/3kW/10A	-	400V/3ph/3kW/10A //230V/1ph /2kW/10A
Drain System	Pump	Pump	Pump	Valve	Valve
Motor	BLDC	BLDC	BLDC	BLDC	BLDC
Energy label	-	-	-	-	-
Energy Label Class	N/A	N/A	N/A	N/A	N/A
Energy consumption kW/kg	0,16	0,19	0,19	0,19	0,19
Water Consumption l/kg	7,0	7,1	7,1	7,1	7,1
Noise db(A) Spin	76	76	76	78	78
Standard Programs	26	26	26	26	26
Easy customizable programs	14	14	14	14	14
Fully customizable program slots	10	10	10	10	10
Program Duration 60 °C cotton (min)	98	60	60	60	60
Display Languages	25	25	25	25	25
Default Languages	English	English	English	English	English
Tactile Solution	■	■	■	■	■
Colour overall	Titanium	Stainless Steel	Stainless Steel	Stainless Steel	Stainless Steel
Detergent Compartment	Pull-Out	Pull-Out	Pull-Out	Pull-Out	Pull-Out
Water Connection	Hot & Cold	Hot & Cold	Hot & Cold	Hot & Cold	Hot & Cold
Water inlet connection	3/4	3/4	3/4	3/4	3/4
Water inlet adaptor	1/2	1/2	1/2	1/2	1/2
Plug Type	-	-	Schuko EU	-	Schuko EU
Approvals	CE, MD, EAC, WRAS	CE, MD, EAC	CE, MD, EAC	CE, MD, EAC	CE, MD, EAC, WRAS
Floor fix tip guard	-	Tip Guard Marine	Tip Guard Marine	-	-
Weight Sensor System	-	■	■	■	■
Tested no of cycles.	30 000	30 000	30 000	30 000	30 000
WiFi for ConnectLife	-	-	-	■	■
Create and load customized programs	-	-	-	■	■
Delayed Start function	100 hr	100 hr	100 hr	100 hr	100 hr
Display Languages returns to pre-set language	■	■	■	■	■
External dosing system	-	-	-	■	■
Prepared for payment systems (coin, card and AIRwallet)	■	-	-	■	■

WASHING MACHINES

MODEL DENOMINATION	WMC6763PC.S	WMC6743VB.T	WMC6743PB.T	WMC6742V.T	WMC6742P.T
Drum Volume	60l	60l	60l	60l	60l
Capacity kg	7	7	7	7	7
Spin Speed	1600 rpm	1400 rpm	1400 rpm	1400 rpm	1400 rpm
G-factor	690	530	530	530	530
Residual Moisture	44%	49%	49%	49%	49%
Voltage	230V	400V	400V	230V	230V
Electrical Connection	1ph	3ph	3ph	1ph	1ph
Transformer w/o 0-Potential	-	-	-	-	-
Fuses	16A	10A	10A	10A	10A
Element Effect	3kW	3kW	3kW	2kW	2kW
Frequency	50Hz	50Hz	50Hz	50Hz	50Hz
Re-Wireable	400V/3ph/3kW/10A //230V/1ph /2kW/10A	400V/1ph/3kW/16A //230V/1ph/2kW/10A	400V/1ph/3kW/16A //230V/1ph/2kW/10A	NA	NA
Drain System	Pump	Valve	Pump	Valve	Pump
Motor	BLDC	BLDC	BLDC	BLDC	BLDC
Energy label	■	-	■	-	■
Energy Label Class	C	N/A	C	N/A	N/A
Energy consumption kW/kg	0,19	0,19	0,19	0,19	0,19
Water Consumption l/kg	7,1	7,1	7,1	7,1	7,1
Noise db(A) Spin	78	76	76	76	76
Standard Programs	26	26	26	26	26
Easy customizable programs	14	14	14	14	14
Fully customizable program slots	10	10	10	10	10
Program Duration 60 °C cotton (min)	60	60	60	60	60
Display Languages	25	25	25	25	25
Default Languages	English	English	English	English	English
Tactile Solution	■	■	■	■	■
Colour overall	Stainless Steel	Titanium	Titanium	Titanium	Titanium
Detergent Compartment	Pull-Out	Pull-Out	Pull-Out	Pull-Out	Pull-Out
Water Connection	Hot & Cold	Hot & Cold	Hot & Cold	Hot & Cold	Hot & Cold
Water inlet connection	3/4	3/4	3/4	3/4	3/4
Water inlet adaptor	1/2	1/2	1/2	1/2	1/2
Plug Type	Schuko EU	-	-	Schuko EU	Schuko EU
Approvals	CE, MD, EAC, WRAS	CE, MD, EAC	CE, MD, EAC	CE, MD, EAC, WRAS	CE, MD, EAC, WRAS, ROHS
Floor fix tip guard	-	-	-	-	-
Weight Sensor System	■	■	■	■	■
Tested no of cycles.	30 000	30 000	30 000	30 000	30 000
WiFi for ConnectLife	■	-	-	-	-
Create and load customized programs	■	■	■	■	■
Delayed Start function	100 hr	100 hr	100 hr	100 hr	100 hr
Display Languages returns to pre-set language	■	■	■	■	■
External dosing system	■	-	-	-	-
Prepared for payment systems (coin, card and AIRwallet)	■	■	■	-	-



TUMBLE DRYERS

MODEL DENOMINATION	TDC1481HC.S	TDC1485VI.S	TDC1485VB.T	TDC1773VP.S
Drum Volume (L)	145	145	145	117
Capacity kg	8	8	8	7
Type	Heat pump	Vented	Vented	Vented
Energy label	■	■	-	-
Energy Label Class	A++	N/A	N/A	N/A
Energy consumption kWh/kg	0,24	0,57	0,47	0,21
Noise db(A)	65	65	70	66
Programs	12	17	17	17
Program duration min (normal dry 1600 rpm)	150	56	57	63
Display Languages	25	25	23	25
Default Languages	English	English	English	English
Tactile Solution	■	■	■	■
Overall color	Stainless Steel	Stainless Steel	Titanium	Stainless Steel
Drum Light (Optional Yes/No)	-	-	-	-
Plug Type	Schuko EU	None	None	None
Voltage	230V	400V	400V	440V
Electrical Connection	1ph	3ph	3ph	2ph
Transformer w/o 0-Potential	-	-	-	■
Fuses	10A	16A	16A	10A
Heater Effect	0,9kW	5kW	35W	3kW
Frequency	50Hz	50Hz	50Hz	60Hz
Re-Wireable/Via UI	-	1ph/3kW/16A	1ph/3kW/16A	1ph/1,95kW/10A
Approvals	CE, MD, EAC	CE, MD, EAC	CE, MD, EAC	CE, MD, EAC
Tip Guard (standard)	■	■	■	-
Tip Guard (floor fixing)	-	-	-	Marine
Fixed lint filter in door	■	■	■	■
Self cleaning condense filter	■	-	-	-
WiFi for ConnectLife	■	■	-	-
Prepared for payment systems (coin, card and AIRwallet)	■ / ■	■ / ■	■ / -	- / -
Delayed Start function	100 hr	100 hr	100 hr	100 hr
Display Languages returns to pre-set language after using other than pre-set language at a washing cycle.	■	■	■	■

TUMBLE DRYERS

MODEL DENOMINATION	TDC1773VF.S	TDC1771HC.S	TDC1772CC.S	TDC1773VC.S
Drum Volume (L)	117	117	117	117
Capacity kg	7	7	7	7
Type	Vented	Heat Pump	Condenser	Vented
Energy label	-	-	■	■
Energy Label Class	N/A	N/A	B	C
Energy consumption kWh/kg	0,57	0,21	0,59	0,57
Noise db(A)	66	66	65	66
Programs	17	12	17	17
Program duration min (normal dry 1600 rpm)	63	115	111	63
Display Languages	25	25	25	25
Default Languages	English	English	English	English
Tactile Solution	■	■	■	■
Overall color	Stainless Steel	Stainless Steel	Stainless Steel	Stainless Steel
Drum Light (Optional Yes/No)	-	-	-	-
Plug Type	Schuko EU	Schuko EU	Schuko EU	Schuko EU
Voltage	230V	230V	230V	230V
Electrical Connection	1ph	1ph	1ph	1ph
Transformer w/o 0-Potential	-	-	-	-
Fuses	16A	10A	16A	16A
Heater Effect	3kW	0,9kW	2,5kW	3kW
Frequency	60Hz	50Hz	50Hz	50Hz
Re-Wireable/Via UI	1ph/1,95kW/10A	-	1ph/1,95kW/10A	1ph/1,95kW/10A
Approvals	CE, MD, EAC	CE, MD, EAC	CE, MD, EAC	CE, MD, EAC
Tip Guard (standard)	-	■	■	■
Tip Guard (floor fixing)	Marine	-	-	-
Fixed lint filter in door	■	■	■	■
Self cleaning condense filter	-	■	-	-
WiFi for ConnectLife	-	■	■	■
Prepared for payment systems (coin, card and AIRwallet)	- / -	■ / ■	■ / ■	■ / ■
Delayed Start function	100 hr	100 hr	100 hr	100 hr
Display Languages returns to pre-set language after using other than pre-set language at a washing cycle.	■	■	■	■

TUMBLE DRYERS

MODEL DENOMINATION	TDC1771H.T	TDC1772C.T	TDC1773V.T
Drum Volume (L)	117	117	117
Capacity kg	7	7	7
Type	Heat Pump	Condense	Vented
Energy label	■	■	-
Energy Label Class	A++	N/A	N/A
Energy consumption kWh/kg	0,21	0,59	0,57
Noise db(A)	66	65	66
Programs	12	17	17
Program duration min (normal dry 1600 rpm)	115	111	63
Display Languages	25	25	25
Default Languages	English	English	English
Tactile Solution	■	■	■
Overall color	Titanium	Titanium	Titanium
Drum Light (Optional Yes/No)	-	-	-
Plug Type	Schuko EU	Schuko EU	Schuko EU
Voltage	230V	230V	230V
Electrical Connection	1ph	1ph	1ph
Transformer w/o 0-Potential	-	-	-
Fuses	10A	16A	16A
Heater Effect	0,9kW	2,5kW	3kW
Frequency	50Hz	50Hz	50Hz
Re-Wireable/Via UI	-	1ph/1,95kW/10A	1ph/1,95kW/10A
Approvals	CE, MD, EAC	CE, MD, EAC	CE, MD, EAC
Tip Guard (standard)	■	■	■
Tip Guard (floor fixing)	-	-	-
Fixed lint filter in door	■	■	■
Self cleaning condense filter	■	-	-
WiFi for ConnectLife	-	-	-
Prepared for payment systems (coin, card and AIRwallet)	■ /-	■ /-	■ /-
Delayed Start function	100 hr	100 hr	100 hr
Display Languages returns to pre-set language after using other than pre-set language at a washing cycle.	■	■	■



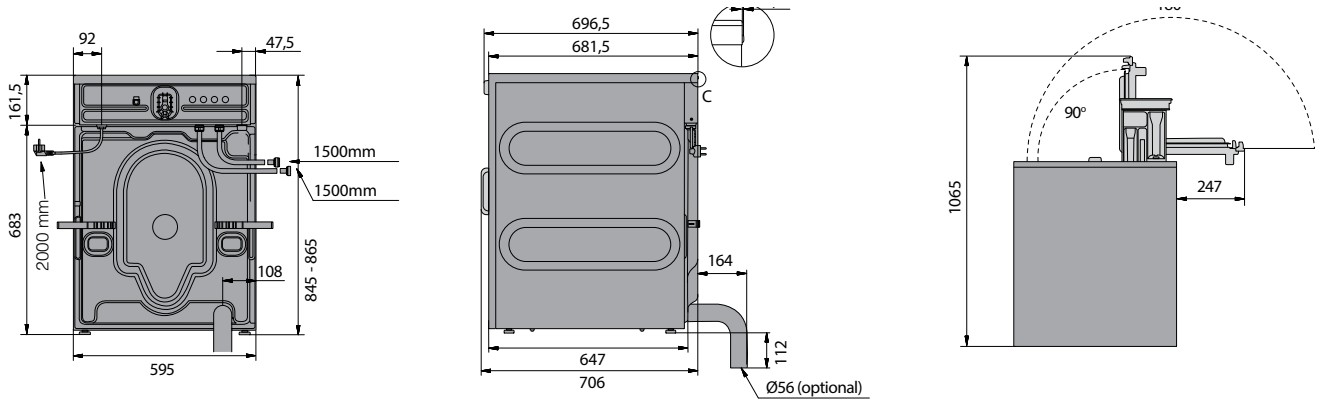
DRYING CABINET

MODEL DENOMINATION	DC7784HP.W	DC7784V.S	DC7784V.W	DC7774V.W
Dimensions (HxWxD) mm	1840x595x665	1840x595x608	1840x595x608	1700x595x608
Drying technology	Heat Pump	Vented	Vented	Vented
Loading capacity cotton kg	5	4	4	4
Evaporation rate g/min	22	17	17	17
Fan capacity m ³ /hour	945	180	180	180
Energy label	n/a	n/a	n/a	n/a
Noise level db(A)	70 db(A)	60 db(A)	60 db(A)	60 db(A)
Door color	White	Stainless Steel	White	White
Side plates color	White	Titanium	White	White
Worktop color	White	Titanium	White	White
Display	Front LCD in Door	Front LCD in Door	Front LCD in Door	Front LCD in Door
Handle	Brushed Aluminum	Brushed Aluminum	Brushed Aluminum	Brushed Aluminum
Programs / options	2 Auto Programs	8 Programs	8 Programs	8 Programs
Temperature setting	(55°)	30° / 40° / 60 °C	30° / 40° / 60 °C	30° / 40° / 60 °C
Drying time min *)	120 / 90	165 / 120	165 / 120	165 / 120
Moisture control	Sensor	Sensor	Sensor	Sensor
Timer program hours	n/a	n/a	n/a	n/a
Delayed start hours	n/a	n/a	n/a	n/a
Plug Type	EU Schuko	EU Schuko	EU Schuko	EU Schuko
Voltage (V)	220-240V	220-240V	220-240V	220-240V
Electrical Connection	1ph	1ph	1ph	1ph
Fuses (A)	10A	10A	10A	10A
Connection Rating (W)	900W	1500W	1500W	1500W
Frequency (Hz)	50Hz	50-60Hz	50-60Hz	50-60Hz
Approvals	CE / EAC	CE / EAC	CE / EAC	CE / EAC
Height Adjustable Feet	■	■	■	■
Installation kit	■	■	■	■
Hanger levels	3	3	3	3
Hanger capacity (m)	16m	16m	16m	16m
Door hanger	2	2	2	2
Glove hanger	2	1	1	1
Bar hanger	2	2	2	2
Shoe rack	■	■	■	■
Door hinge Right hinged	■	■	■	■
Door reversibility	By consumer	By consumer	By consumer	By consumer

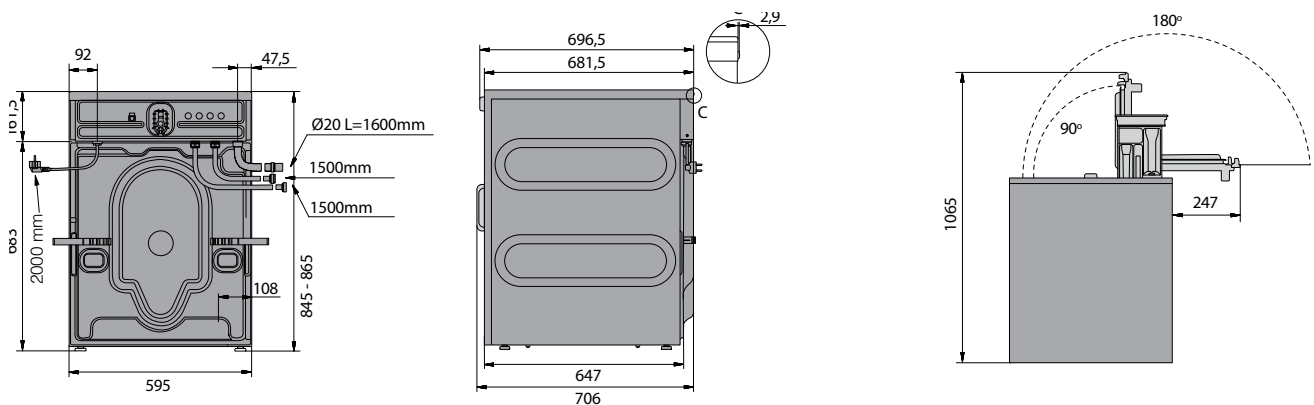


Washing Machine Installation Drawings

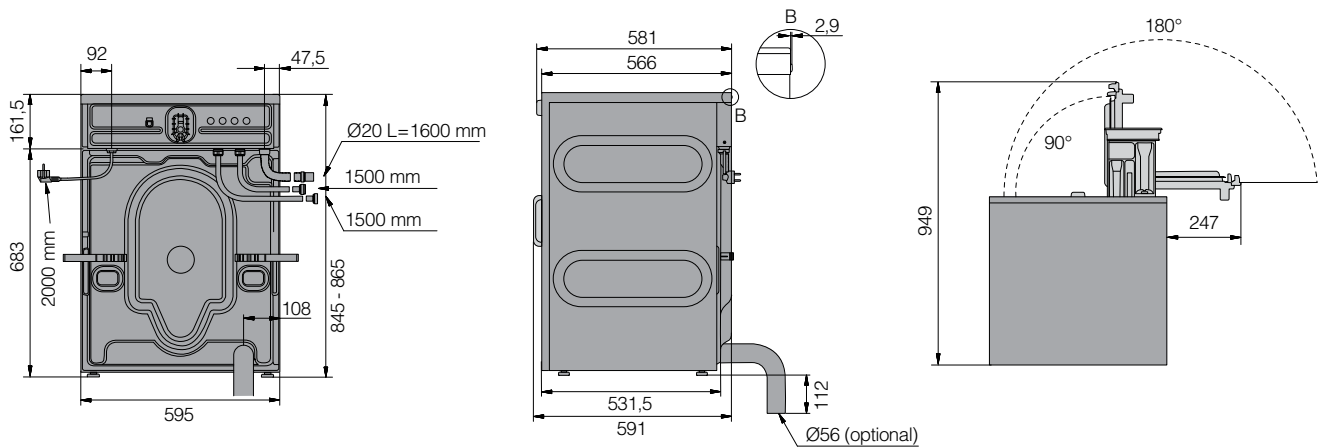
WMC8947VI.S, WMC8943VC.S, WMC8944VB.T



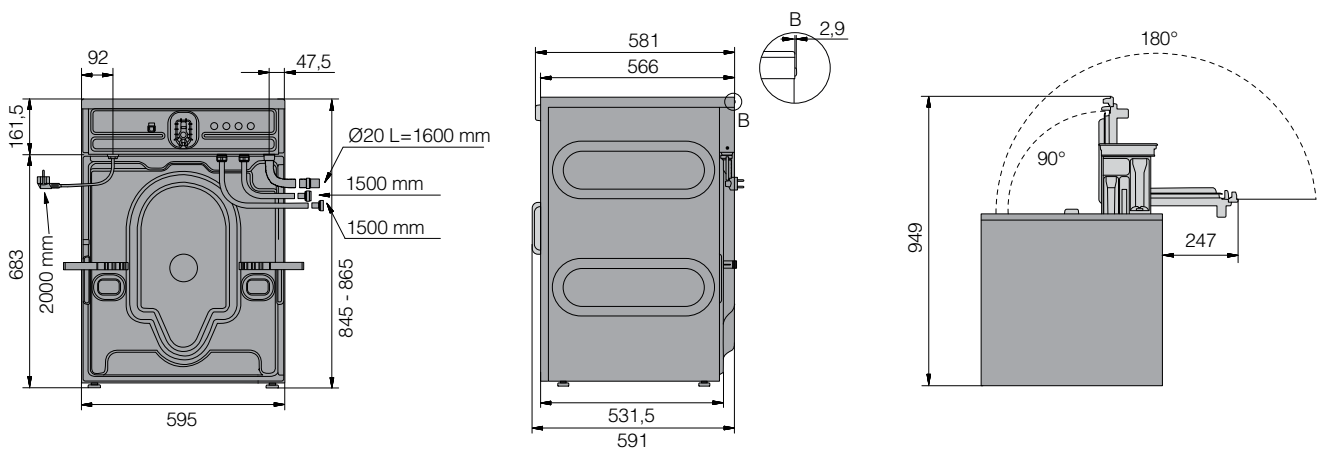
WMC8947PI.S, WMC8943PC.S, WMC8944PB.T



WMC6763VC.S, WMC6767VI.S, WMC6742V.T, WMC6743VB.T



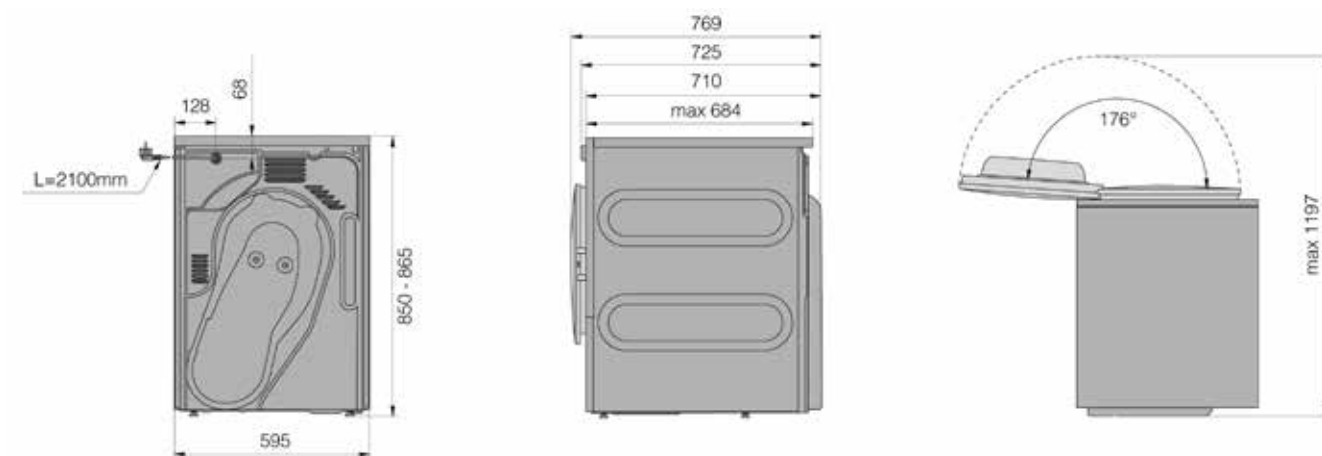
WMC6763PC.S, WMC6743PF.S, WMC6744PP.S, WMC6742P.T, WMC6743PB.T



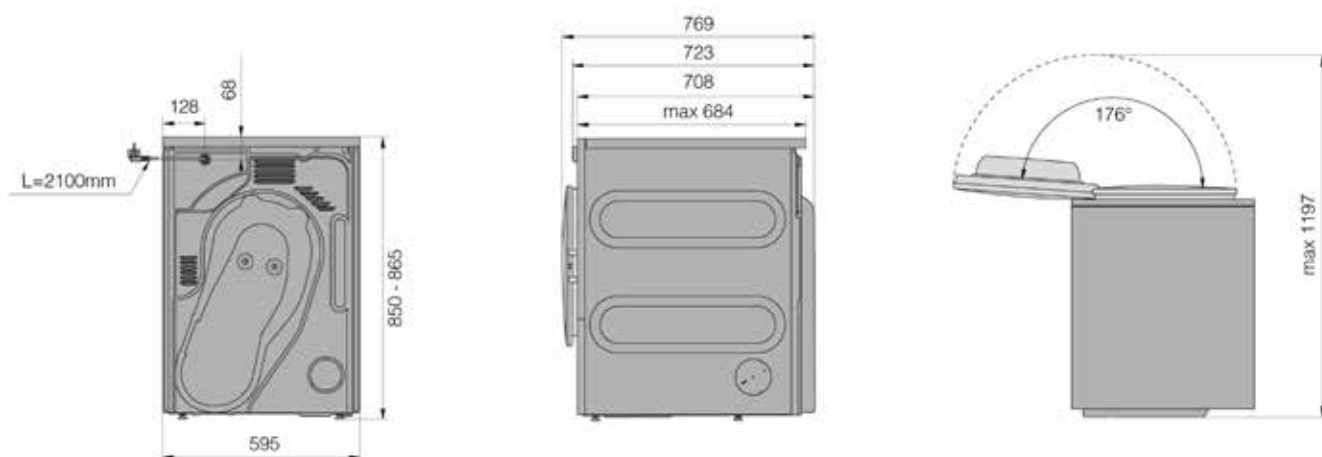
Tumble Dryer

Installation Drawings

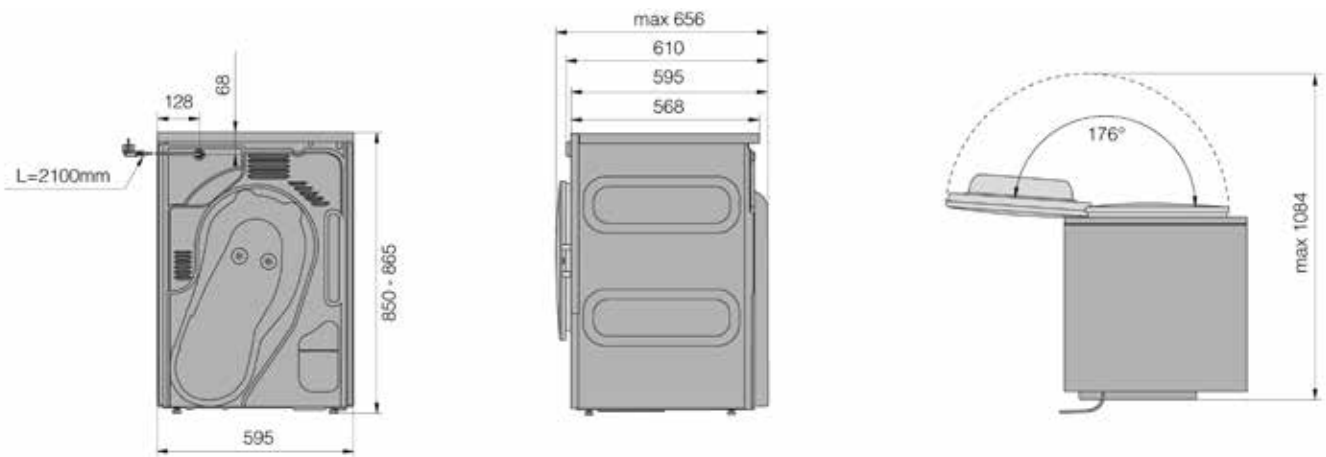
TDC1481HC.S



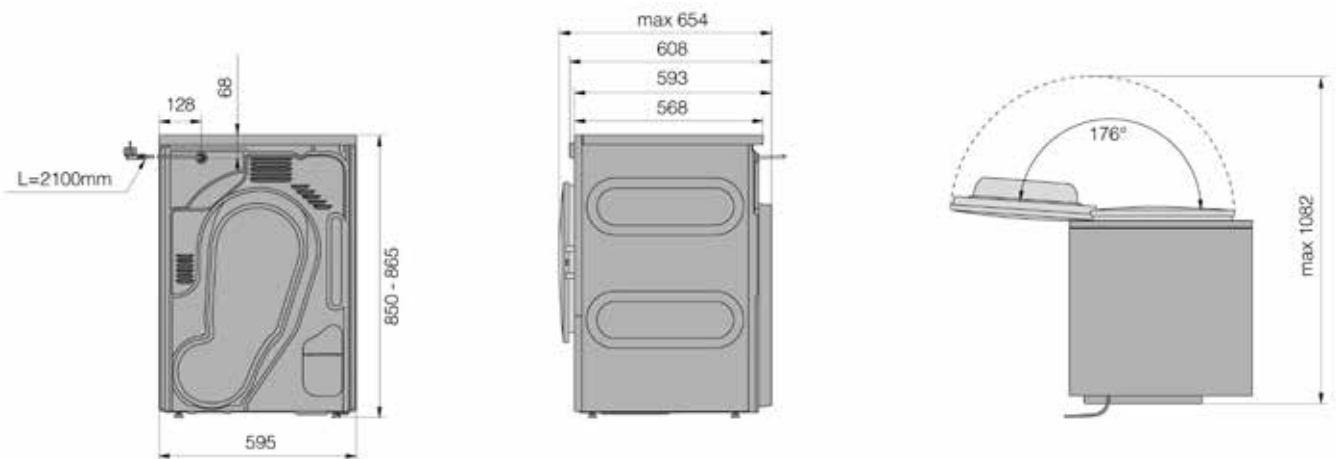
TDC1485VI.S, TDC1485VB.T



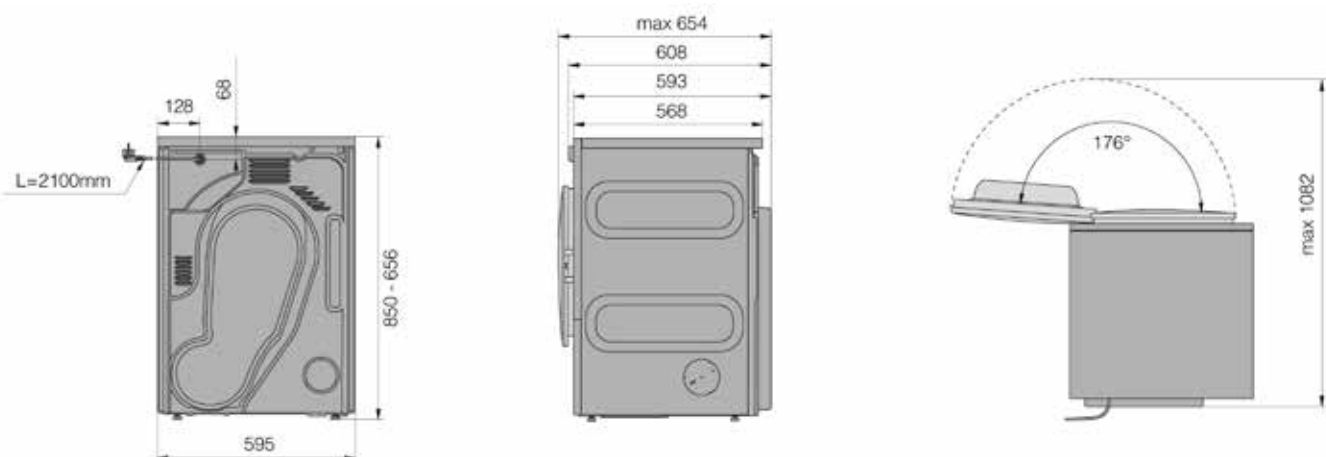
TDC1771HC.S, TDC1771H.T



TDC1772CC.S, TDC1772C.T



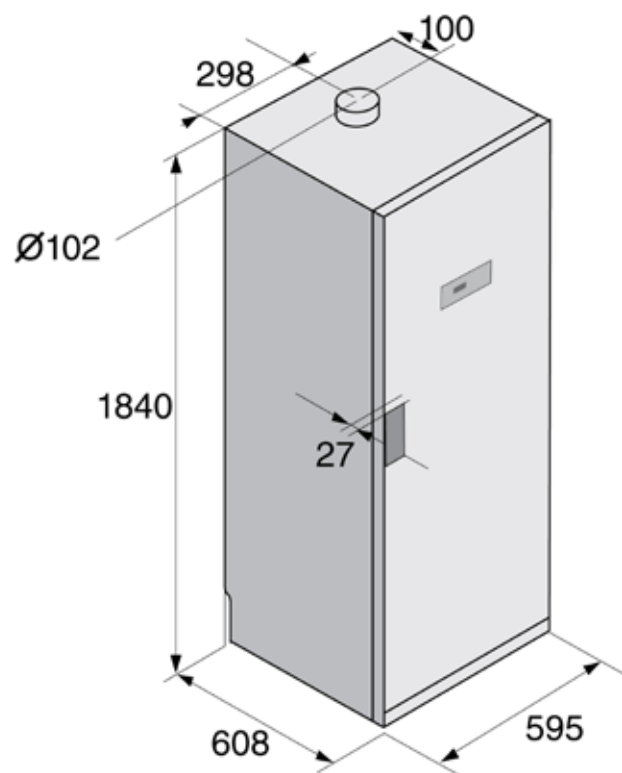
TDC1773VC.S, TDC1773VF.S, TDC1773VP.S, TDC1773V.T



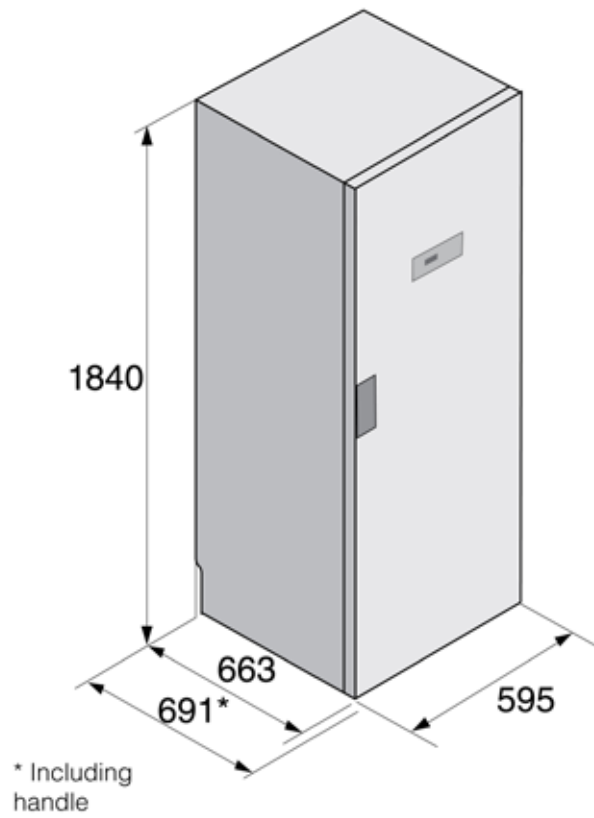
Drying Cabinet

Installation Drawings

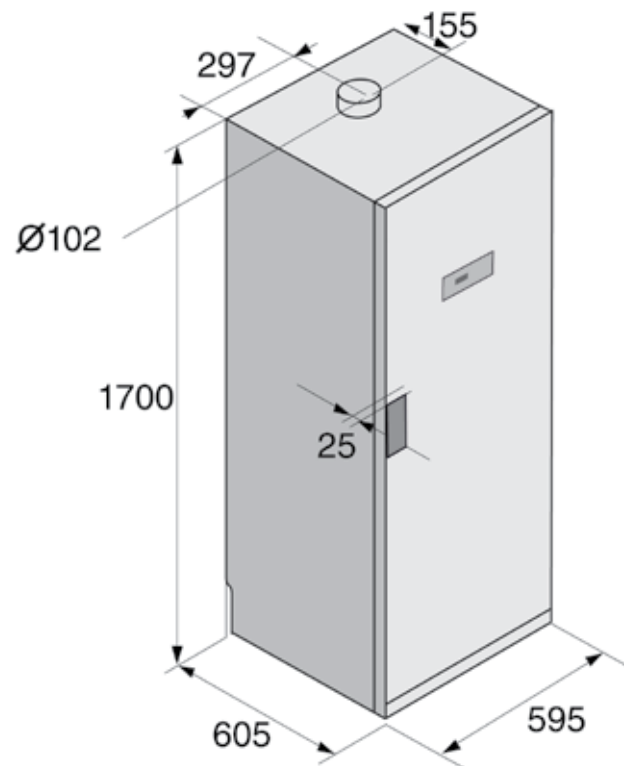
DC7784V.W, DC7784V.S



DC7784HP.W



DC7774V.W



Other **ASKO** domestic products



Diswasher



Cooker Hood



Hob



Hood in Hob



Coffee Machine



Oven



Drawer



Fridge and Freezer



Wine Climate Cabinet



Washing Machine



Tumble Dryer



Drying Cabinet

ASKO – the **love** story

Our story started in the 50's. A young farmer in Jung, south of Lidköping in Sweden, saw his mother's predicament; washing by hand is wet, cold, hard and heavy. He wished to ease her burden, and so he invented his own machine - a sturdy, steady and reliable washer in cast iron and stainless steel. The beginning of ASKO was an act of love, no more, no less.

We don't yet know what the future holds, because we're all in the process of shaping it together. But we know that we will continue to develop and refine the products that we love to make and are proud to deliver. We make you safe in the knowledge that your ASKO product is taking care of your clothes, your food, your dishes – and, by extension, you and your loved ones.





